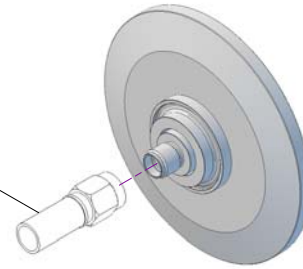


Notes

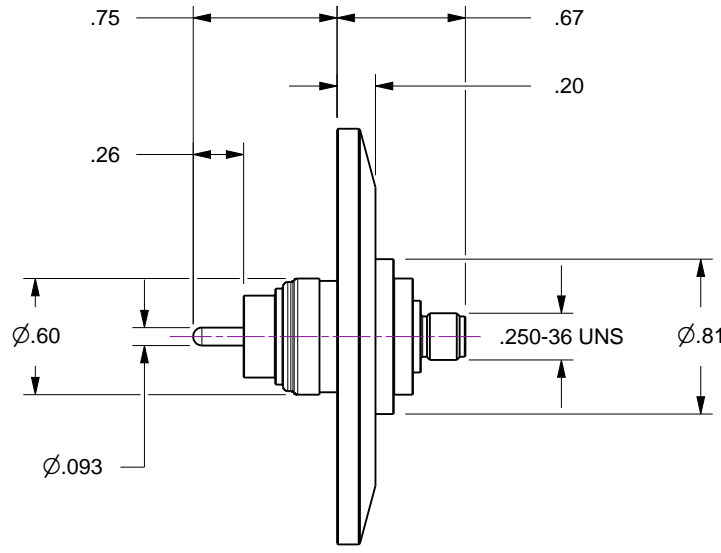
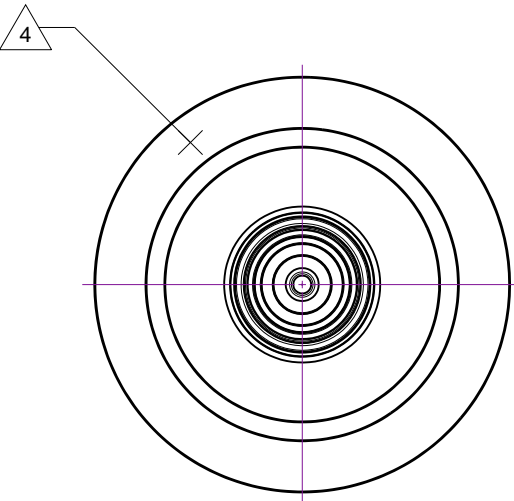
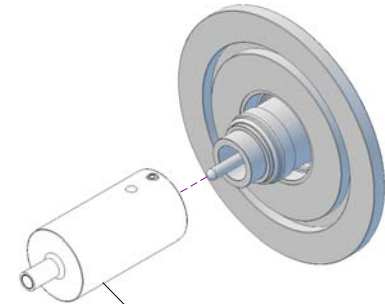
- 1. Floating SMA, Single-Ended, Coaxial Feedthrough on ISO NW40 KF Flange
- 2. HV service to 1x10E-8 Torr
- 3. Mating air and vacuum-side cable-fitted connector are also available (sold separately)
- 4. Protect O-ring seal surface from damage
- 5. Leak test to 5x10E-10 Standard cc/sec of He

Rev.	Description	Date	Made By	Approval
A	Initial Release			

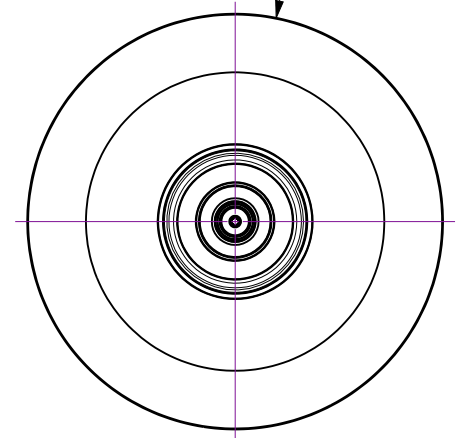
110765 (48")  
Air-Side Cable  
(sold separately)



110768 (19") / 110769 (39")  
Vacuum-Side Cables  
(sold separately)



ISO NW40 KF Flange  
Ø2.165



**Accu-Glass Products Inc.**  
25047 Anza Drive  
Valencia, CA 91355  
T 818-365-4215  
F 818-365-7074  
www.accuglassproducts.com

**UNCONTROLLED WEB DRAWING**

Proprietary and Confidential  
The information contained in this drawing is the sole property of Accu-Glass, Products Inc. Any reproduction, in part or as whole, without the written permission of Accu-Glass Products, Inc., is strictly prohibited.

Material See Individual Components	
Tolerances, unless otherwise specified	
.X ± .030	Angles ± 0.5°
.XX ± .010	Finish 63Ra
.XXX ± .005	

Title <b>SMA, SE Floating / on ISO NW40 KF Flange</b>				
Drawn by Date	Ligeti 8/30/2018	No. <b>110759</b>	Rev. <b>A</b>	
Approved			Sheet	