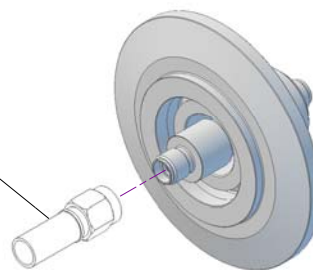


Notes

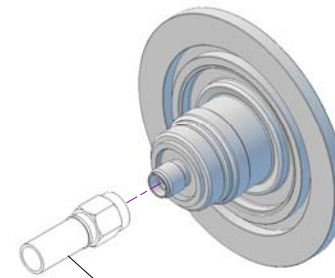
- 1. Floating SMA, Double-Ended, Coaxial Feedthrough on ISO NW40 KF Flange
- 2. UHV service to 1x10E-10 Torr
- 3. Matring air and vacuum-side cable-fitted connectors are also available (sold separately)
- 4. Protect O-ring seal surface from damage
- 5. Leak test to 5x10E-10 Standard cc/sec of He

Rev.	Description	Date	Made By	Approval
A	Initial Release			

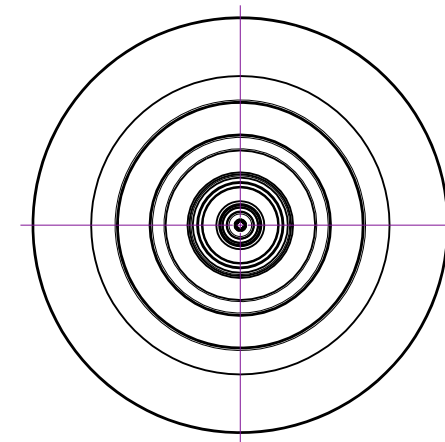
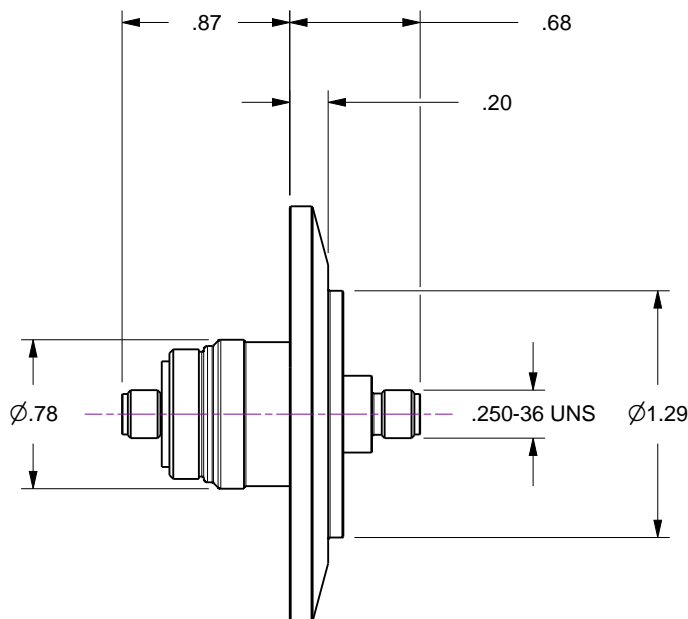
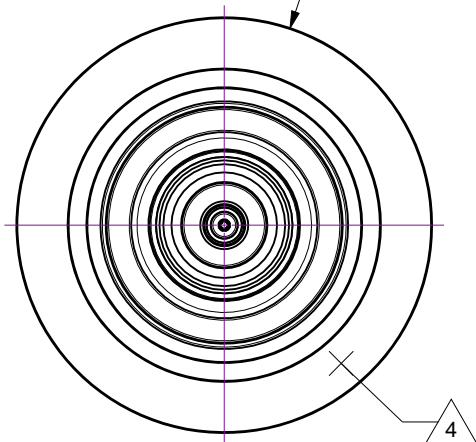
110765 (48")  
Air-Side Cable  
(sold separately)



110755 (19") / 110756 (39")  
Vacuum-Side Cables  
(sold separately)



ISO NW40 KF Flange  
Ø2.165



**Accu-Glass Products Inc.**  
25047 Anza Drive  
Valencia, CA 91355  
T 818-365-4215  
F 818-365-7074  
www.accuglassproducts.com

**UNCONTROLLED WEB DRAWING**

Proprietary and Confidential  
The information contained in this drawing is the sole property of Accu-Glass, Products Inc. Any reproduction, in part or as whole, without the written permission of Accu-Glass Products, Inc., is strictly prohibited.

Material  
See Individual Components

Tolerances,  
unless otherwise specified

.X ± .030	Angles ± 0.5° Finish 63Ra
.XX ± .010	
.XXX ± .005	

Title  
**SMA, DE Coaxial / on ISO NW40 KF Flange**

Drawn by Date	Ligeti 9/5/2018	No. <b>110762</b>	Rev. <b>A</b>
Approved		Sheet	