

Notes

- 1. AccuFast-875 Floating Coaxial Connector Kit / Customer Installation
- 2. Constructed with UHV compatible materials
- 3. Accepts 26 AWG 50-Ohm coaxial cable 100720 (sold separately)
- 4. See A111021 (PDF download) for detailed wiring instructions.

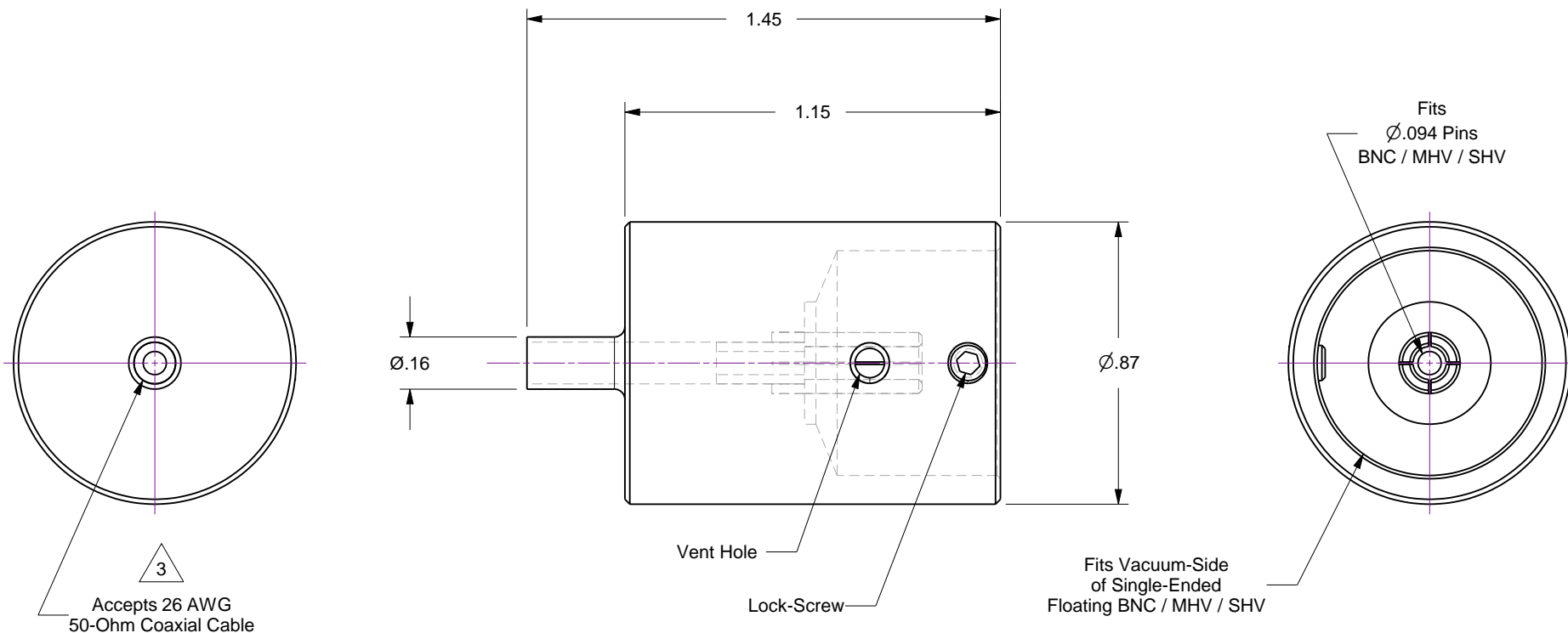
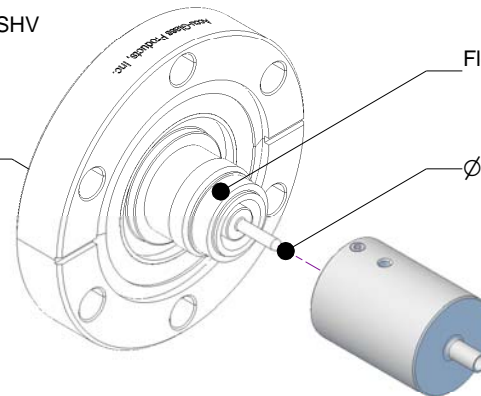
Rev.	Description	Date	Made By	Approval
A	Initial Release			

Typical Use
Floating BNC, MHV, and SHV
Feedthroughs

110130
(sold separately)

Floating Ground
Interface

∅.094 Pin



Accu-Glass Products Inc.
25047 Anza Drive
Valencia, CA 91355
T 818-365-4215
F 818-365-7074
www.accuglassproducts.com

UNCONTROLLED WEB DRAWING

Proprietary and Confidential
The information contained in this drawing is the sole property of Accu-Glass, Products Inc. Any reproduction, in part or as whole, without the written permission of Accu-Glass Products, Inc., is strictly prohibited.

Material Stainless Steel - 304	
Tolerances, unless otherwise specified	
.X ± .030	Angles ± 0.5°
.XX ± .010	Finish 63Ra
.XXX ± .005	

Title AccuFast-875 Coax Connector Kit			
Drawn by Date	CR 12/16/2009	No. 111021	Rev. A
Approved			Sheet