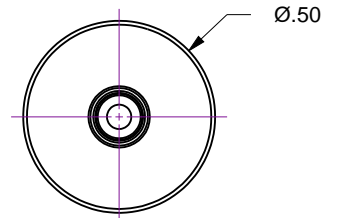
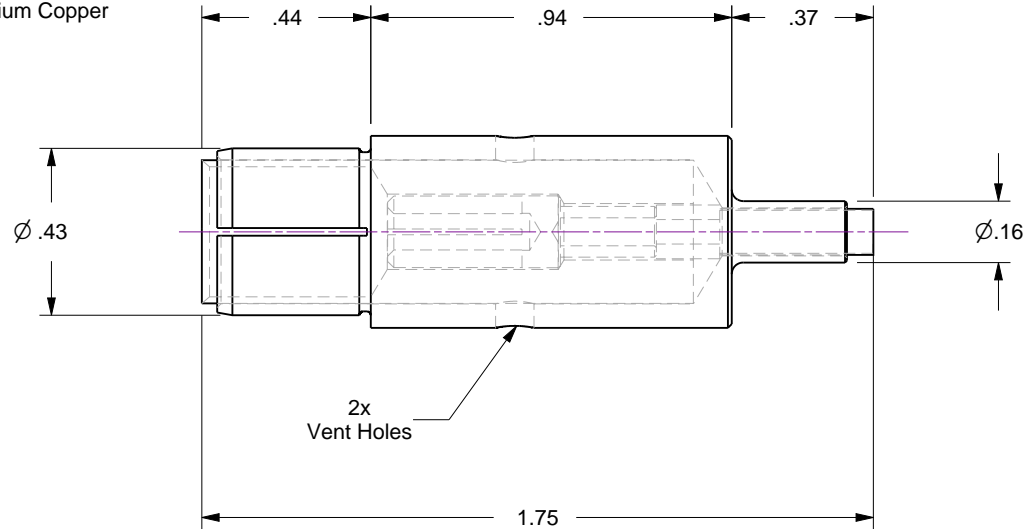
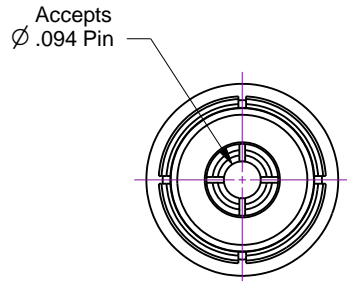
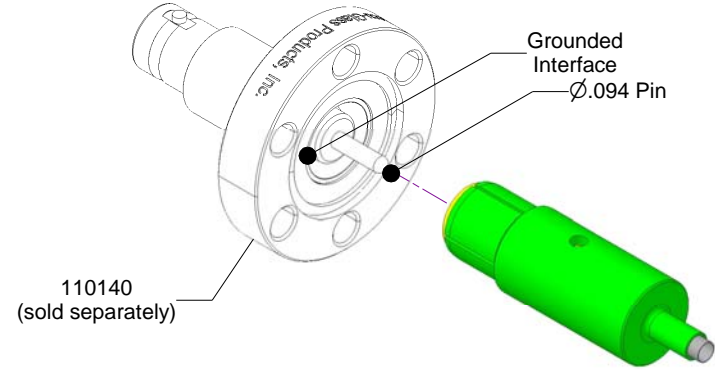
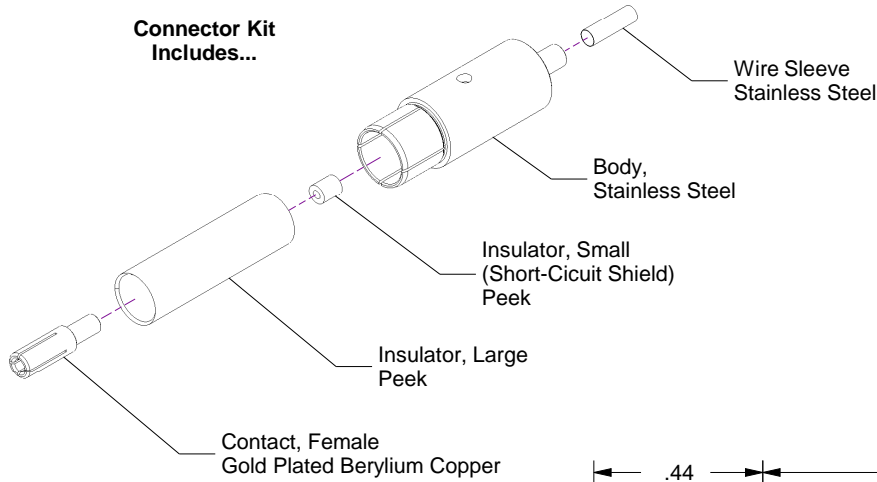


Notes

- 1. Rated to 5,000 VDC @ 1x10E-4 Torr (or lower pressure)
- 2. AccuFast-500 Coaxial Connector Kit / Customer Installation
- 3. Accepts 26 AWG 50-Ohm UHV coaxial cable 100720 (sold separately)
- 4. See A111033 (PDF download) for detailed wiring instructions

Rev.	Description	Date	Made By	Approval
A	Initial Release			

Typical Use
Grounded /Single-Ended MHV, and SHV Feedthroughs



Accu-Glass Products Inc.
25047 Anza Drive
Valencia, CA 91355
T 818-365-4215
F 818-365-7074
www.accuglassproducts.com

UNCONTROLLED WEB DRAWING

Proprietary and Confidential
The information contained in this drawing is the sole property of Accu-Glass, Products Inc. Any reproduction, in part or as whole, without the written permission of Accu-Glass Products, Inc., is strictly prohibited.

Material
See Individual Components

Tolerances,
unless otherwise specified

.X ± .030	Angles ± 0.5° Finish 63Ra
.XX ± .010	
.XXX ± .005	

Title

HV-AF500S

Drawn by Date	Farrell 3/25/2015	No. 111033	Rev. A
Approved			Sheet