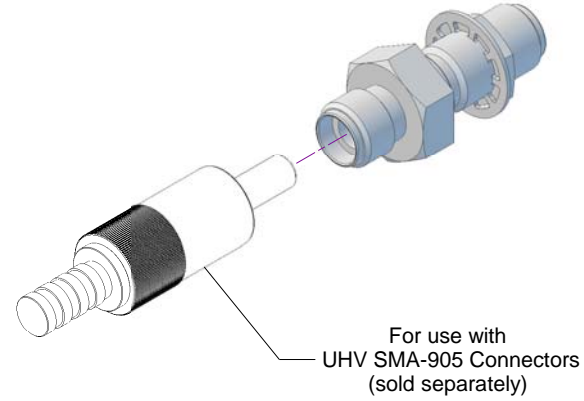


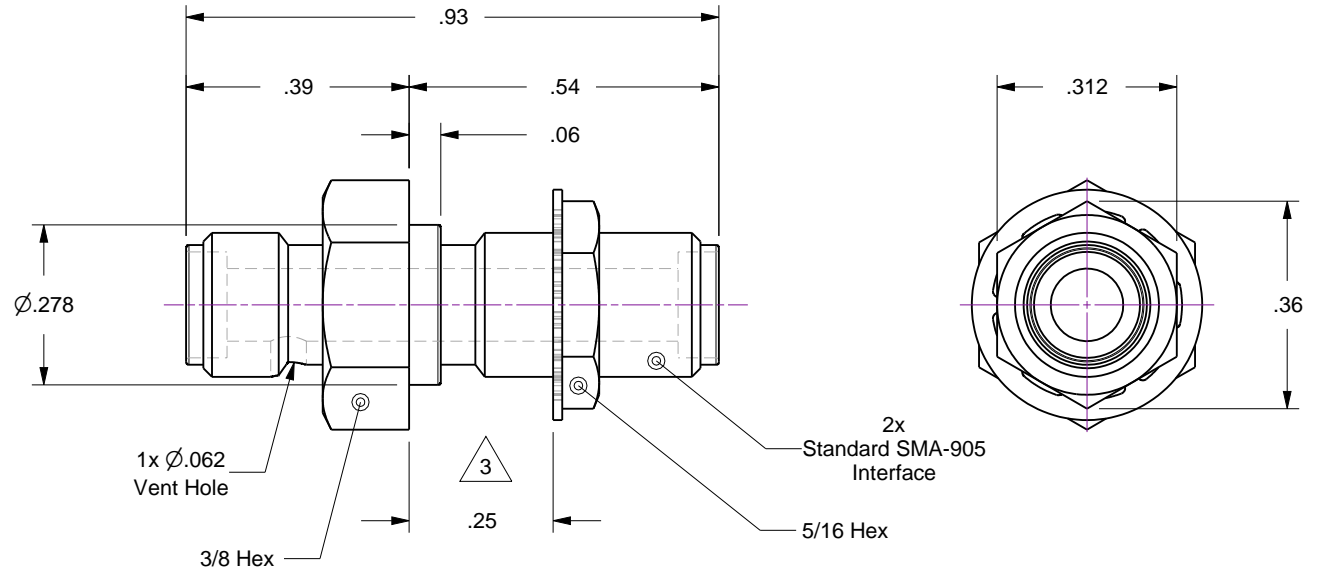
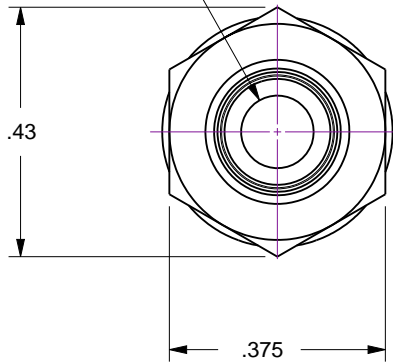
Notes

- 1. SMA to SMA (Female) Bulkhead Coupling
- 2. Kit includes lock-washer and jam-nut
- 3. Note maximum bulkhead thickness with SMA connector attached

Rev.	Description	Date	Made By	Approval
A	Initial Release			



Accepts  
 Ø.125 SMA-905 Barrel  
 Both Ends



**Accu-Glass Products Inc.**  
 25047 Anza Drive  
 Valencia, CA 91355  
 T 818-365-4215  
 F 818-365-7074  
 www.accuglassproducts.com

**UNCONTROLLED WEB DRAWING**

Proprietary and Confidential  
 The information contained in this drawing is the sole property of Accu-Glass, Products Inc. Any reproduction, in part or as whole, without the written permission of Accu-Glass Products, Inc., is strictly prohibited.

Material Stainless Steel - 304	
Tolerances, unless otherwise specified	
.X ± .030	Angles ± 0.5°
.XX ± .010	Finish 63Ra
.XXX ± .005	

Title <b>SMA-SMA BULKHEAD COUPLER</b>			
Drawn by Date	CR 4/19/2012	No. <b>111115</b>	Rev. <b>A</b>
Approved	JAMIE F.	Sheet 1 OF 1	