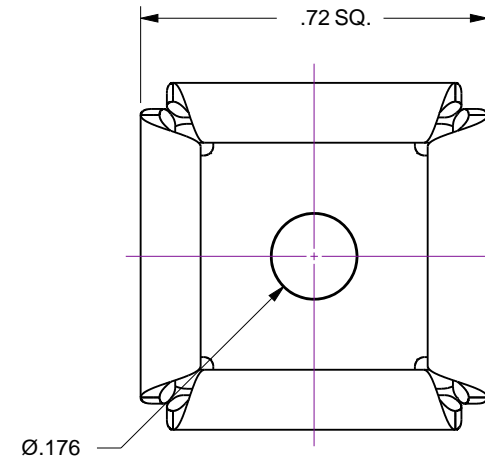
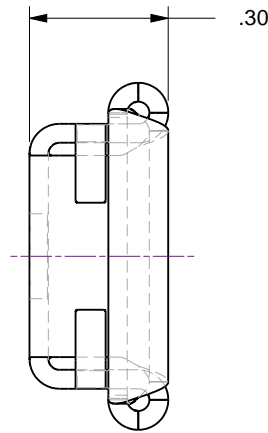
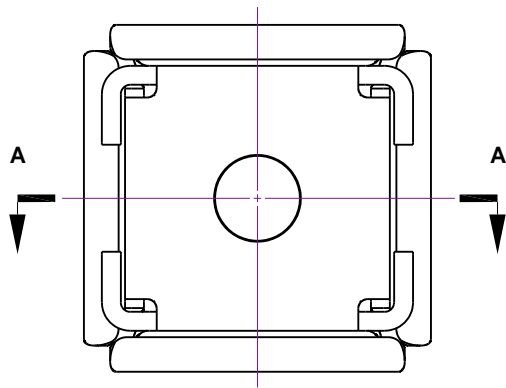
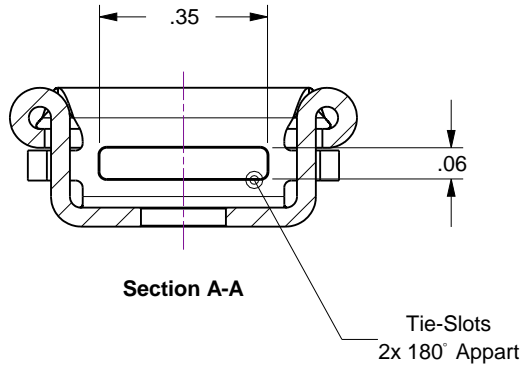
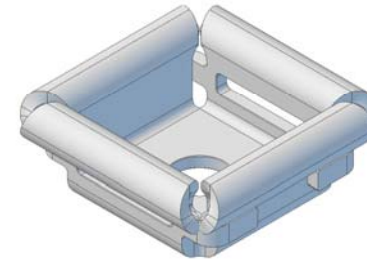


Notes

- 1. Maximum screw-head height .09 inch (2.3mm)
- 2. Center clearance hole accepts #8 (4mm) mounting screw.

Rev.	Description	Date	Made By	Approval
A	Initial Release			
B	Remodeled	2018/02/06	AL	



UNCONTROLLED WEB DRAWING

Proprietary and Confidential
 The information contained in this drawing is the sole property of Accu-Glass, Products Inc. Any reproduction, in part or as whole, without the written permission of Accu-Glass Products, Inc., is strictly prohibited.

Material Stainless Steel, 304	
Tolerances, unless otherwise specified	
.X ± .030	Angles ± 0.5°
.XX ± .010	Finish 63Ra
.XXX ± .005	

Title Mount, Stainless Steel Two-Way Tie			
Drawn by Date	Ligeti 2/6/2018	No. 111151	Rev. B
Approved		Sheet	



Accu-Glass Products Inc.
 25047 Anza Drive
 Valencia, CA 91355
 T 818-365-4215
 F 818-365-7074
 www.accuglassproducts.com