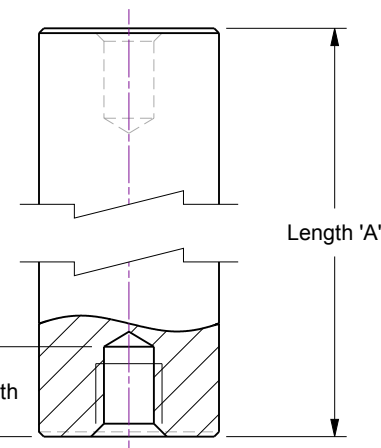
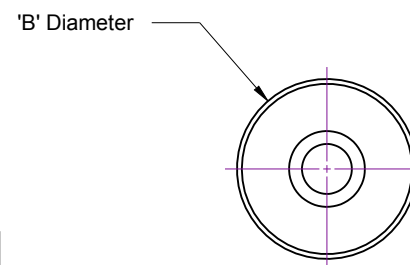
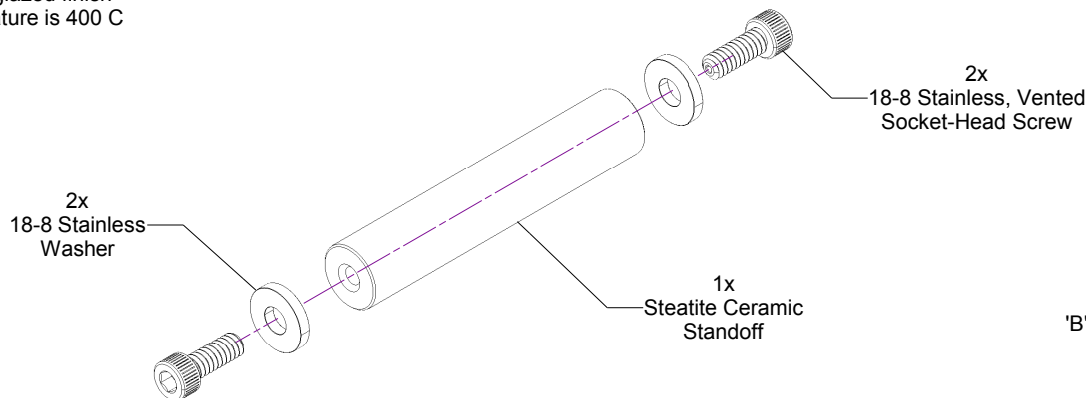


Notes

1. Threaded Steatite ceramic standoffs include two (2) 'vented' 18-8 stainless steel socket-head screws and flat washers
2. Suitable for UHV service to 1x10E-10 Torr
3. External surfaces have a glazed finish
4. Maximum service temperature is 400 C

Rev	Description	Date
B	Added kVDC to Voltage column	01/07/2020



Part No.	Length	Diameter	Thread	Thread Depth	Voltage Standoff kVDC	
					Air	Vacuum
11117 X	<b>A</b>	<b>B</b>	<b>C</b>	<b>D</b>	<b>Air</b>	<b>Vacuum</b>
<b>0</b>	.50	.38	6-32	.16	4	10
<b>1</b>	.75			.28	5	12
<b>2</b>	1			.35	8	20
<b>3</b>	1.25			10	25	
<b>4</b>	1.5			12	30	
<b>5</b>	2			14	35	
<b>6</b>	1.25	1	1/4-20	.43	10	25
<b>7</b>	1.5			.58	12	30
<b>8</b>	2			.68	14	35



**Accu-Glass Products Inc.**  
 25047 Anza Drive  
 Valencia, CA 91355  
 T 818-365-4215  
 F 818-365-7074  
 www.accuglassproducts.com

**UNCONTROLLED WEB DRAWING**

Proprietary and Confidential  
 The information contained in this drawing is the sole property of Accu-Glass, Products Inc. Any reproduction, in part or as whole, without the written permission of Accu-Glass Products, Inc., is strictly prohibited.

Material Steatite	
Tolerances, unless otherwise specified	
.X ± .030	Angles ± 0.5°
.XX ± .010	Finish 63Ra
.XXX ± .005	

Title Electrical Standoffs, Steatite Ceramic			
Drawn by Date	Ligeti 06/13/2018	No.	11117 x
Rev.	<b>B</b>	Sheet	
Approved			