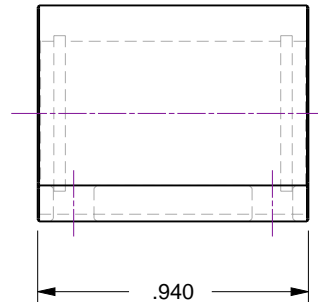
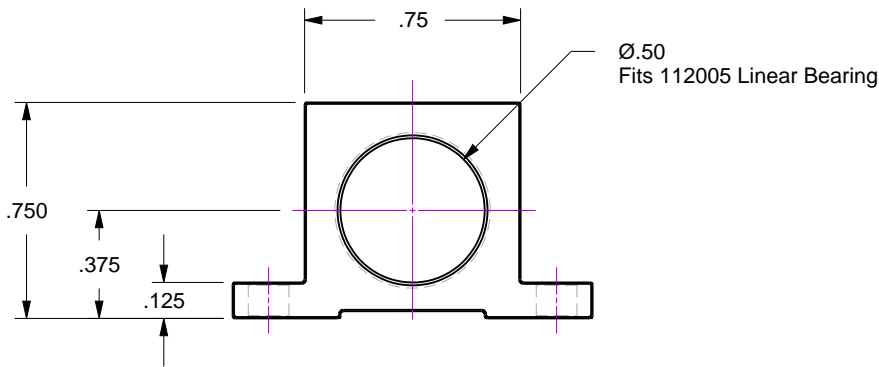
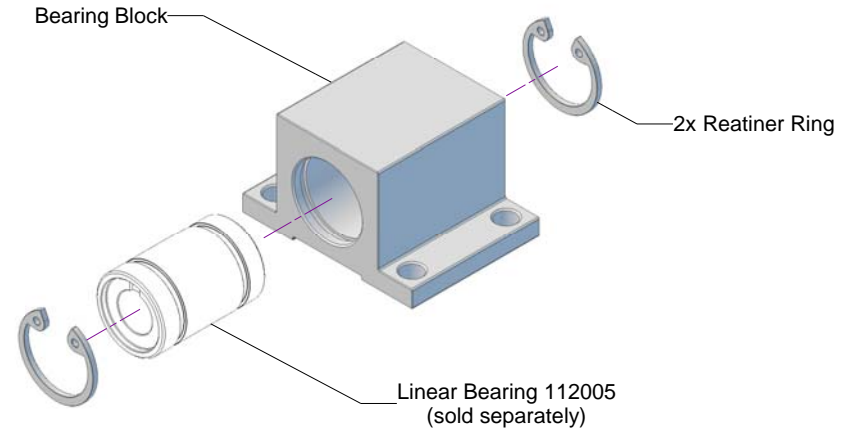
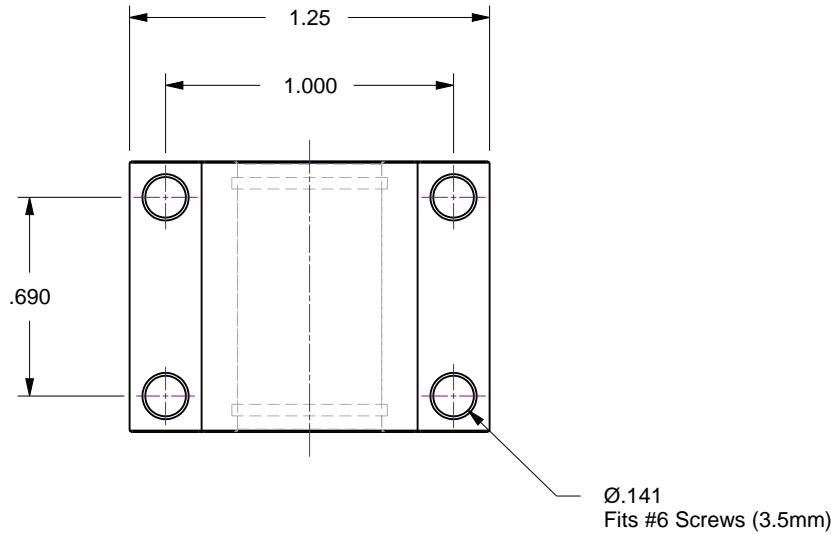


Notes

- 1. Linear bearing mount LBM-T-250 Kit includes Aluminum block and 2x stainless steel retainer rings
- 2. Use with 1/4 inch shaft linear bearing L-BB-250 part number 112005 (sold separately)
- 3. Made with UHV compatible materials
- 4. Dimensions symmetrical about centerlines

Rev	Description	Date



UNCONTROLLED WEB DRAWING

Proprietary and Confidential
 The information contained in this drawing is the sole property of Accu-Glass, Products Inc. Any reproduction, in part or as whole, without the written permission of Accu-Glass Products, Inc., is strictly prohibited.

Material See Individual Components	
Tolerances, unless otherwise specified	
.X ± .030	Angles ± 0.5°
.XX ± .010	Finish 63Ra
.XXX ± .005	

Title UHV 1/4-Inch Linear Bearing Mount, LBM-T-250			
Drawn by Date	Ligeti 2018/02/06	No. 112003	Rev. A
Approved			Sheet



Accu-Glass Products Inc.
 25047 Anza Drive
 Valencia, CA 91355
 T 818-365-4215
 F 818-365-7074
 www.accuglassproducts.com

A

B

C

D