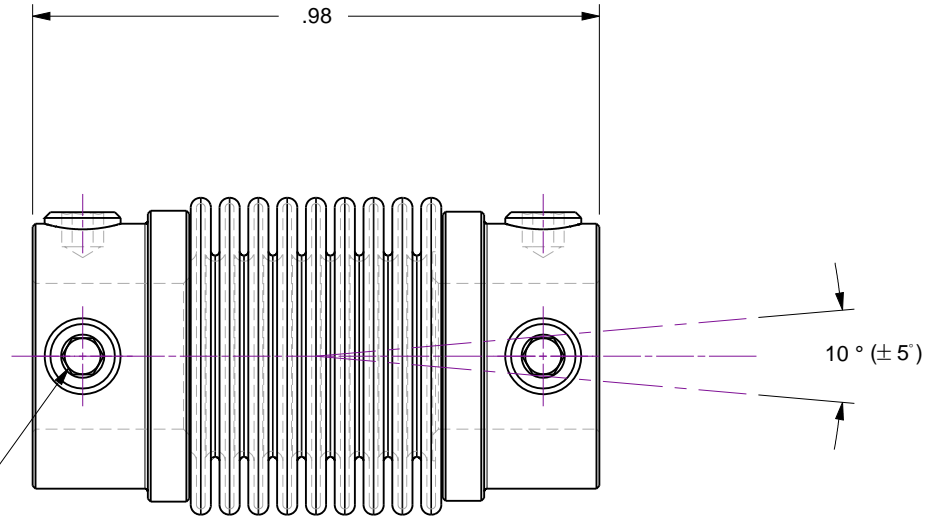
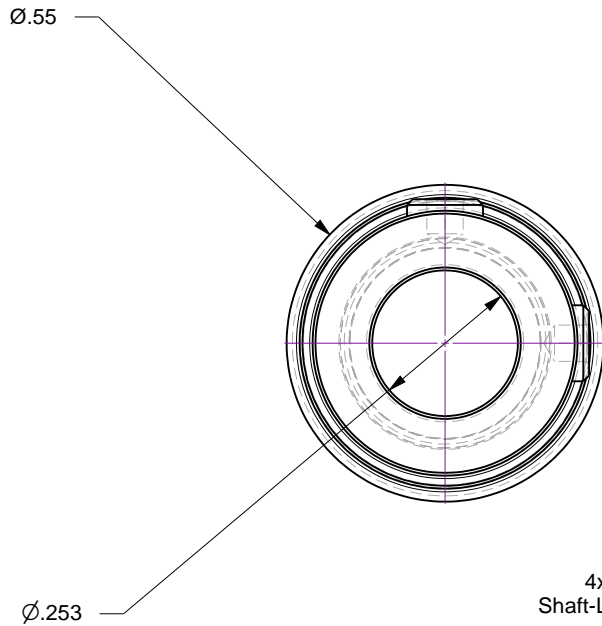
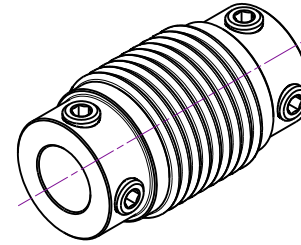


Notes

- 1. 1/4 inch Shaft Bellows Coupling Model BELC-250
- 2. Dimensions symmetrical about centerline
- 3. UHV compatible materials / construction

Rev.	Description	Date	Made By	Approval
A	Initial Release			
B	Remodeled	2018/02/08	AL	



4x 6-32 UNC  
Shaft-Lock Set Screws



**Accu-Glass Products Inc.**  
25047 Anza Drive  
Valencia, CA 91355  
T 818-365-4215  
F 818-365-7074  
www.accuglassproducts.com

**UNCONTROLLED WEB DRAWING**

Proprietary and Confidential  
The information contained in this drawing is the sole property of Accu-Glass, Products Inc. Any reproduction, in part or as whole, without the written permission of Accu-Glass Products, Inc., is strictly prohibited.

Material  
Stainless Steel, 304

Tolerances,  
unless otherwise specified

.X ± .030	Angles ± 0.5° Finish 63Ra
.XX ± .010	
.XXX ± .005	

Title  
Coupling, 1/4 Inch Shaft Bellows

Drawn by Date	Ligeti 2/7/2018	No. <b>112010</b>	Rev. <b>B</b>
Approved		Sheet	