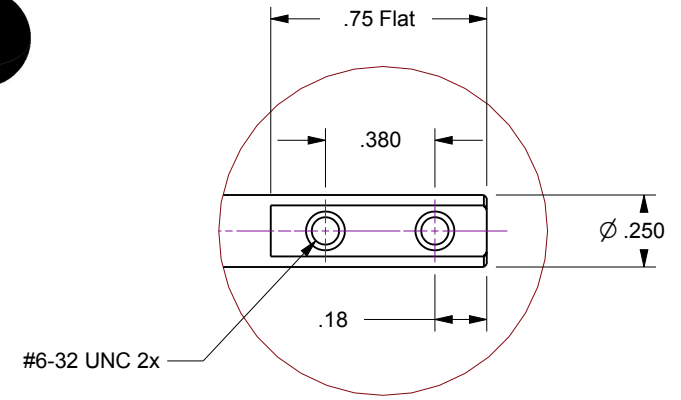
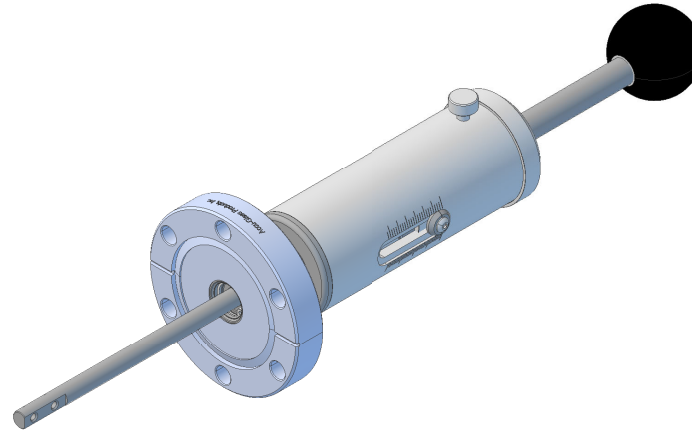


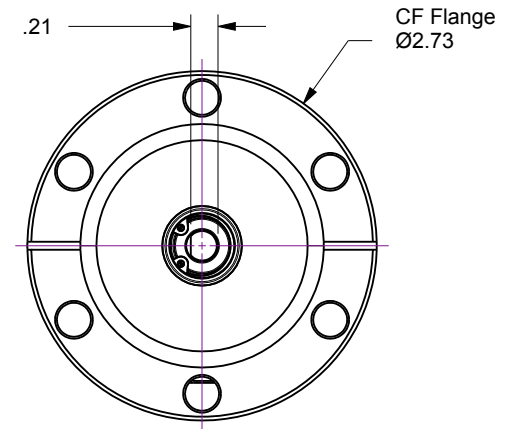
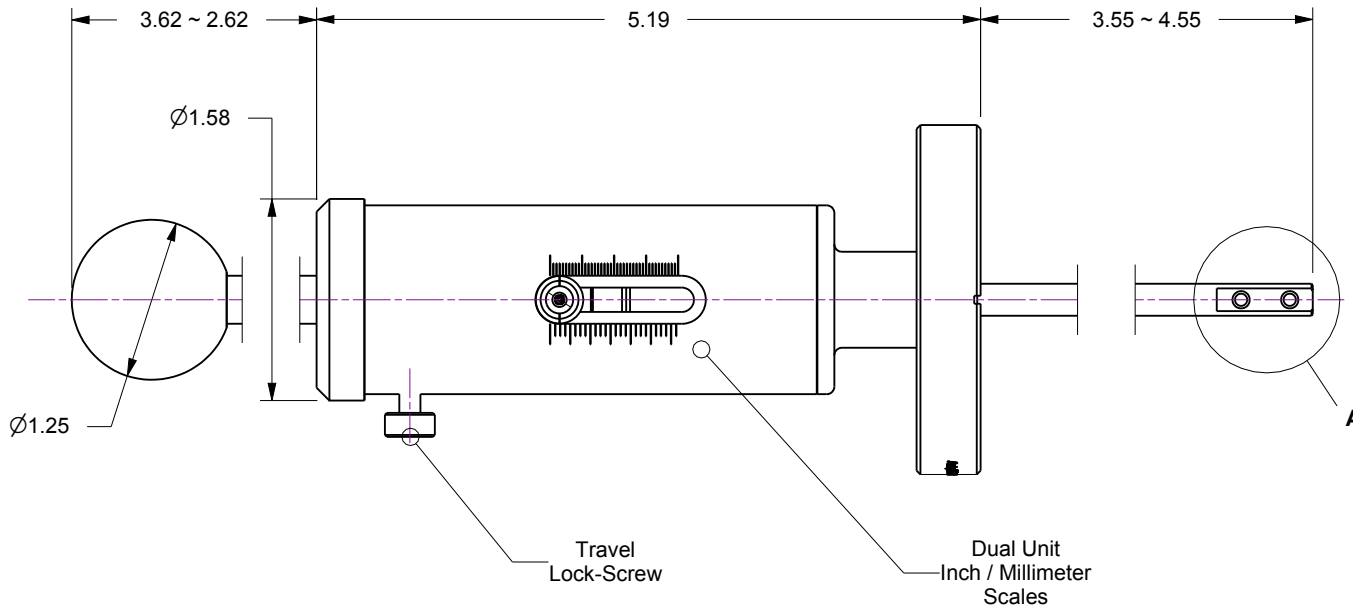
Notes

- 1. PHTL Manual, 1-Inch Travel Push-Pull Linear Feedthrough on 2.75 CF Flange
- 2. Leak test to 5x10E-10 Standard cc/sec of He
- 3. Protect flange seal surfaces from damage
- 4. Black anodized aluminum body finish
- 5. Resolution : 0.25 Inch / 1mm Metric scales respectively

Rev.	Description	Date	Made By	Approval
A	Initial Release			



Detail A



**Accu-Glass Products Inc.**  
 25047 Anza Drive  
 Valencia, CA 91355  
 T 818-365-4215  
 F 818-365-7074  
 www.accuglassproducts.com

**UNCONTROLLED WEB DRAWING**

Proprietary and Confidential  
 The information contained in this drawing is the sole property of Accu-Glass, Products Inc. Any reproduction, in part or as whole, without the written permission of Accu-Glass Products, Inc., is strictly prohibited.

Material  
 See Individual Components

Tolerances,  
 unless otherwise specified

.X ± .030	Angles ± 0.5° Finish 63Ra
.XX ± .010	
.XXX ± .005	

Title

Linear Feedthrough, 1 Inch Push-Pull on 2.75 CF

Drawn by Date	Ligeti 3/31/2015	No. <b>112051</b>	Rev. <b>A</b>
Approved		Sheet	