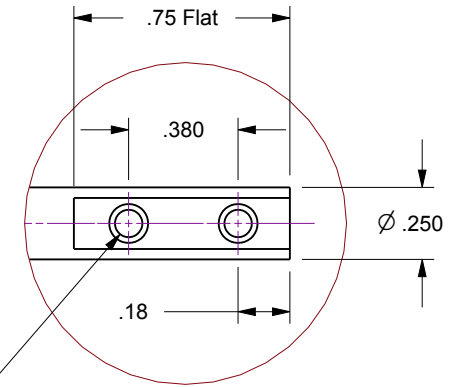
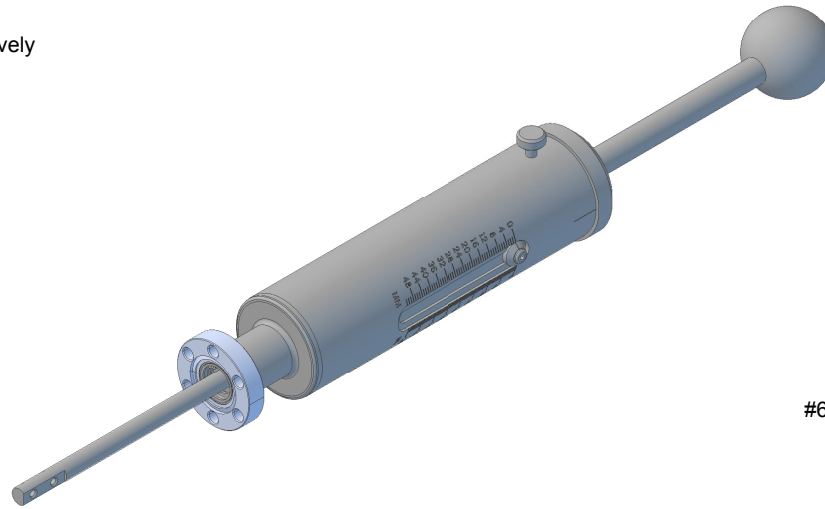


Notes

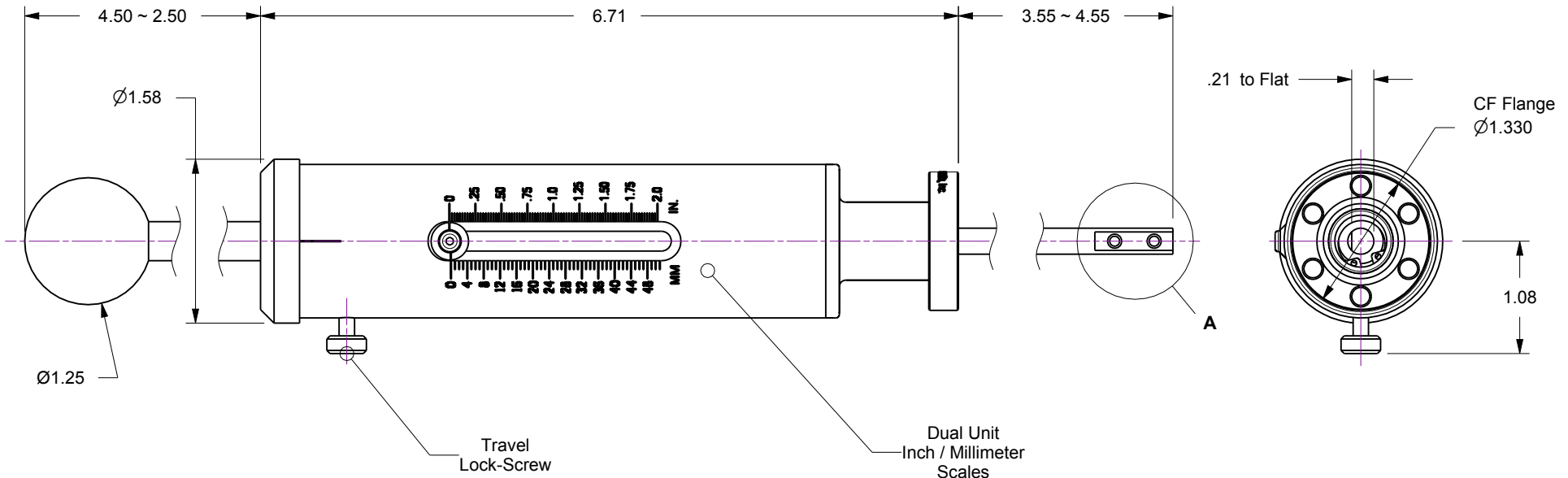
- 1. PHTL Manual, 2-Inch Travel Push-Pull Linear Feedthrough on 1.33 CF Flange
- 2. Leak test to 5x10E-10 Standard cc/sec of He
- 3. Protect flange seal surfaces from damage
- 4. Black anodized aluminum body finish
- 5. Resolution : 0.25 Inch / 1mm Metric scales respectively

Rev.	Description	Date	Made By	Approval
A	Initial Release			



#6-32 UNC 2x

Detail A



Ø1.25

Travel Lock-Screw

Dual Unit Inch / Millimeter Scales

CF Flange Ø1.330

1.08

UNCONTROLLED WEB DRAWING

Proprietary and Confidential
 The information contained in this drawing is the sole property of Accu-Glass, Products Inc. Any reproduction, in part or as whole, without the written permission of Accu-Glass Products, Inc., is strictly prohibited.

Material See Individual Components

Tolerances, unless otherwise specified

.X ± .030	Angles ± 0.5° Finish 63Ra
.XX ± .010	
.XXX ± .005	

Title Linear FT, 2" Push-Pull on 1.33 CF			
Drawn by Farrell	Date 3/24/2016	No. 112052	Rev. A
Approved			Sheet



Accu-Glass Products Inc.
 25047 Anza Drive
 Valencia, CA 91355
 T 818-365-4215
 F 818-365-7074
 www.accuglassproducts.com