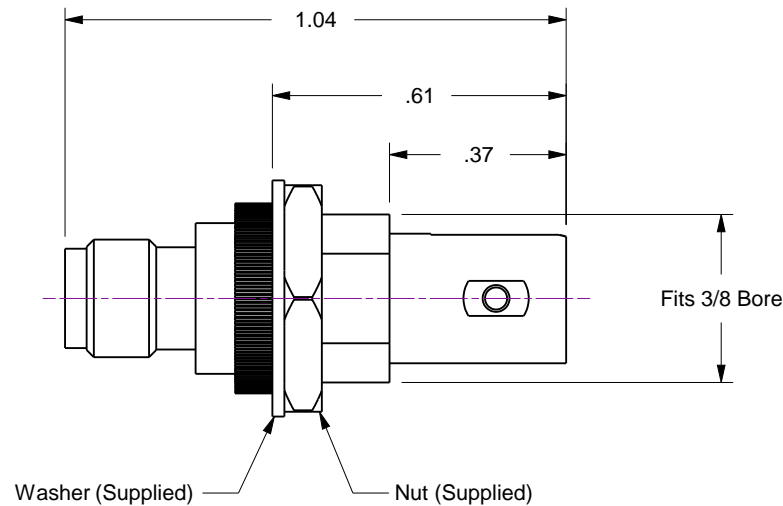
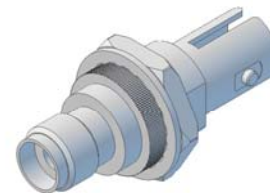
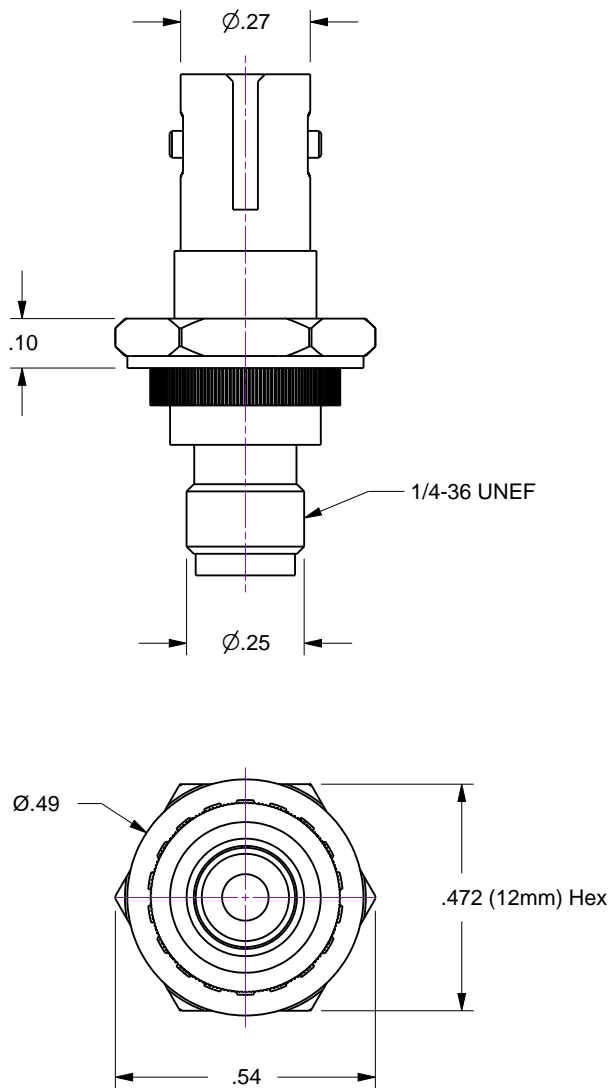


Notes

- 1. UHV service bulkhead style SMA-to-ST fiber optic adapter
- 2. Includes lock washer and jam nut

Rev	Description	Date
A	Initial Release	



**Accu-Glass Products Inc.**  
 25047 Anza Drive  
 Valencia, CA 91355  
 T 818-365-4215  
 F 818-365-7074  
 www.accuglassproducts.com

**UNCONTROLLED WEB DRAWING**

Proprietary and Confidential  
 The information contained in this drawing is the sole property of Accu-Glass, Products Inc. Any reproduction, in part or as whole, without the written permission of Accu-Glass Products, Inc., is strictly prohibited.

Material  
 See Individual Components

Tolerances,  
 unless otherwise specified

.X ± .030	Angles ± 0.5° Finish 63Ra
.XX ± .010	
.XXX ± .005	

Title

**FOV-SMA-ST-ADP**

Drawn by Date	Farrell 5/10/2017	No. <b>112242</b>	Rev. <b>A</b>
Approved			Sheet