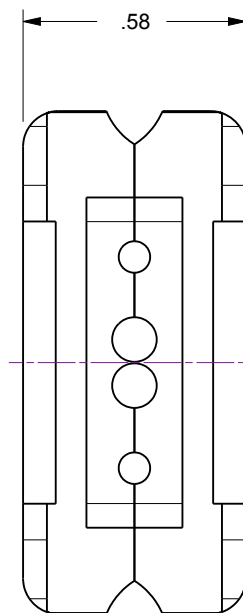
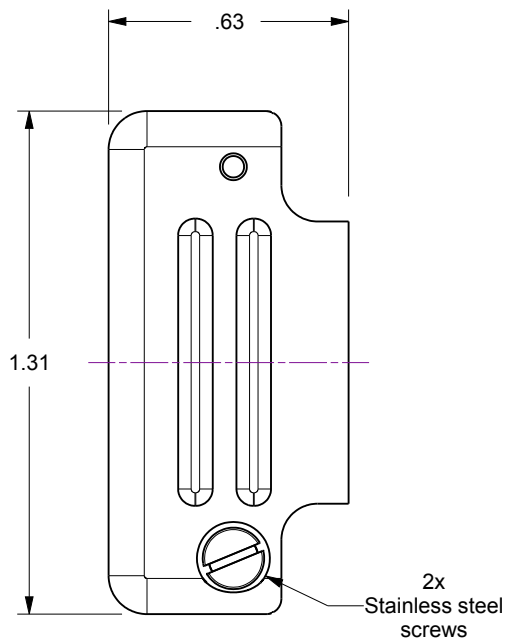
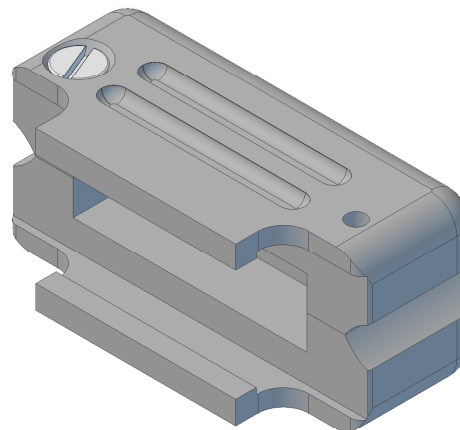


Notes

1. PEEK strain reliefs for use with Thermo-D connector: part numbers 101031 and 100970

Rev.	Description	Date	Made By	Approval
A	Initial Release			



UNCONTROLLED WEB DRAWING

Proprietary and Confidential
 The information contained in this drawing is the sole property of Accu-Glass, Products Inc. Any reproduction, in part or as whole, without the written permission of Accu-Glass Products, Inc., is strictly prohibited.

Material PEEK		Title Strain Relief, 2-Pair Thermocouple / 2-Power PEEK		
Tolerances, unless otherwise specified		Drawn by Date	Ligeti 11/28/2018	Rev. A
.X ± .030	Angles ± 0.5°	No. 112291		Sheet
.XX ± .010	Finish 63Ra	Approved		
.XXX ± .005				



Accu-Glass Products Inc.
 25047 Anza Drive
 Valencia, CA 91355
 T 818-365-4215
 F 818-365-7074
 www.accuglassproducts.com

A

B

C

D