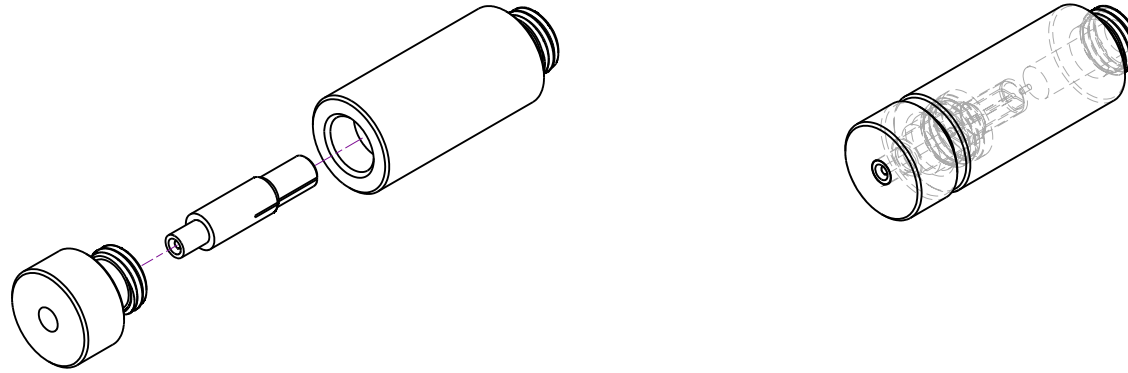


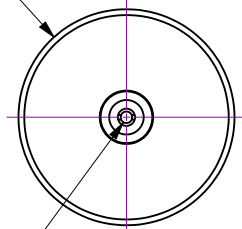
Notes

- 1. Bare fiber adapter for use with AGP's Polyimide buffered 200 micron optical fiber
- 2. 400 and 600 micron adapters are also available... AGP part numbers 112321 and 112322 respectively (sold separately)

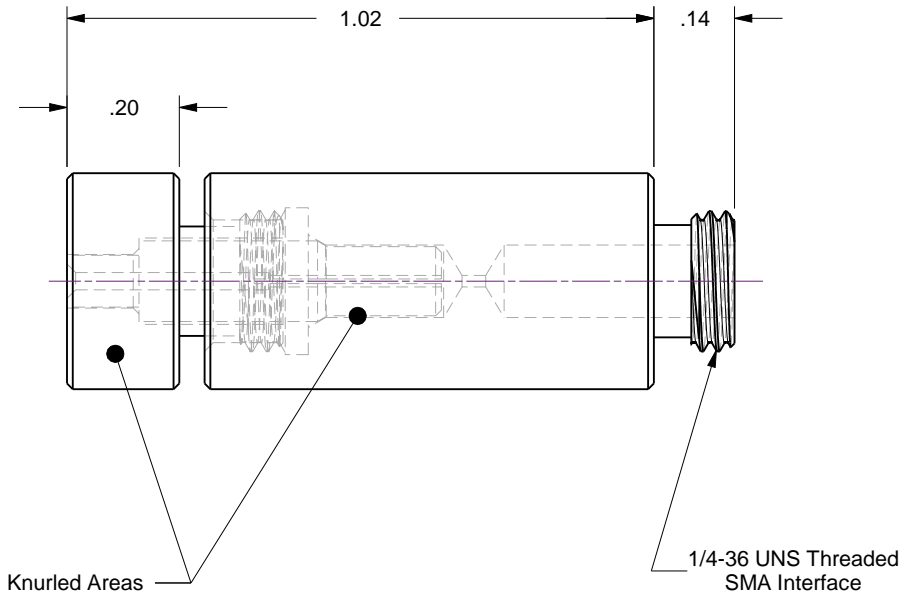
Rev	Description	Date
A	Initial Release	



Ø.38



Accepts 200µm Fiber Optic



Knurled Areas

1/4-36 UNS Threaded SMA Interface



Accu-Glass Products Inc.
 25047 Anza Drive
 Valencia, CA 91355
 T 818-365-4215
 F 818-365-7074
 www.accuglassproducts.com

UNCONTROLLED WEB DRAWING

Proprietary and Confidential
 The information contained in this drawing is the sole property of Accu-Glass, Products Inc. Any reproduction, in part or as whole, without the written permission of Accu-Glass Products, Inc., is strictly prohibited.

Material See Individual Components	
Tolerances, unless otherwise specified	
.X ± .030	Angles ± 0.5°
.XX ± .010	Finish 63Ra
.XXX ± .005	

Title FO200-BFFA			
Drawn by Farrell	Date 7/28/2016	No. 112320	Rev. A
Approved			Sheet