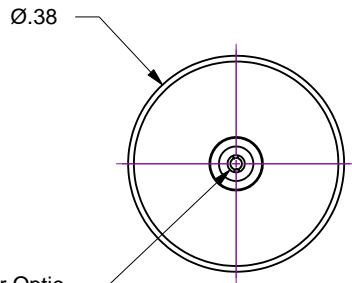
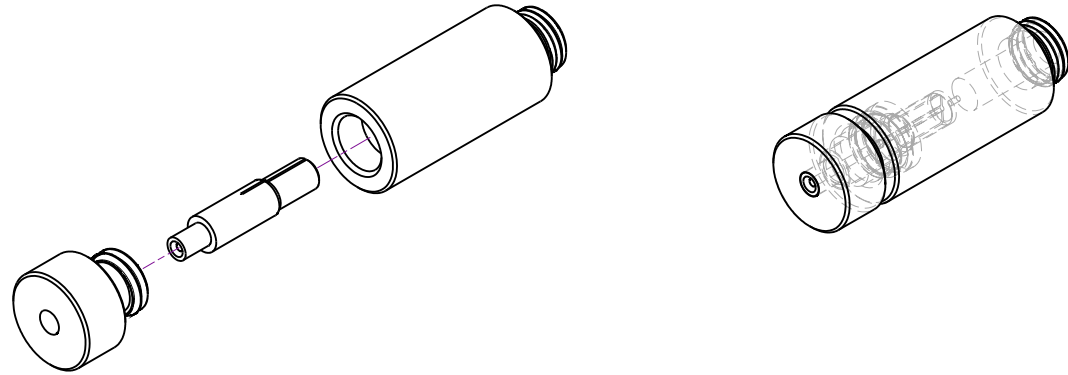


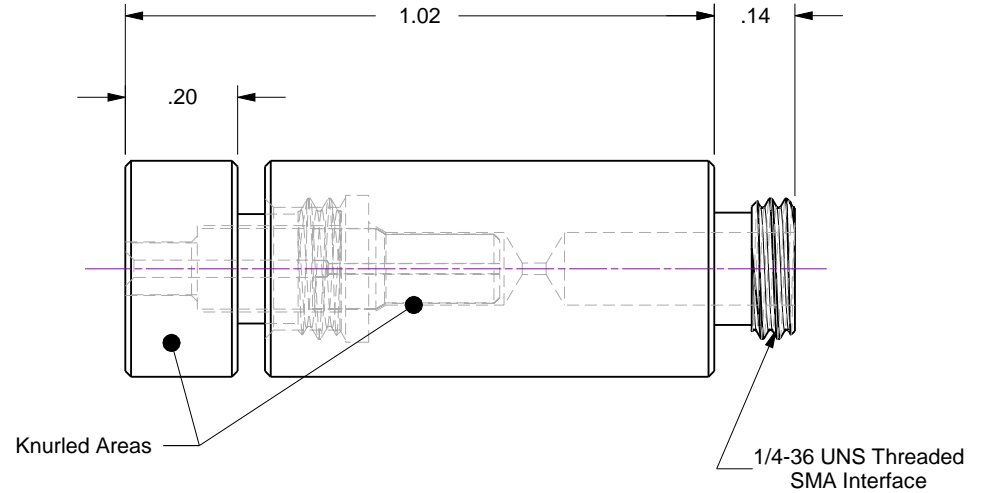
Notes

- 1. Bare fiber adapter for use with AGP's Polyimide buffered 400 micron optical fiber
- 2. 200 and 600 micron adapters are also available... AGP part numbers 112320 and 112322 respectively (sold separately)

Rev	Description	Date
A	Initial Release	



Opening For 400um Fiber Optic



UNCONTROLLED WEB DRAWING

Proprietary and Confidential
 The information contained in this drawing is the sole property of Accu-Glass, Products Inc. Any reproduction, in part or as whole, without the written permission of Accu-Glass Products, Inc., is strictly prohibited.

Material Stainless Steel	
Tolerances, unless otherwise specified	
.X ± .030	Angles ± 0.5°
.XX ± .010	Finish 63Ra
.XXX ± .005	

Title FO400-BFFA			
Drawn by Date	CR 7/16/2009	No. 112321	Rev. A
Approved			Sheet



Accu-Glass Products Inc.
 25047 Anza Drive
 Valencia, CA 91355
 T 818-365-4215
 F 818-365-7074
 www.accuglassproducts.com