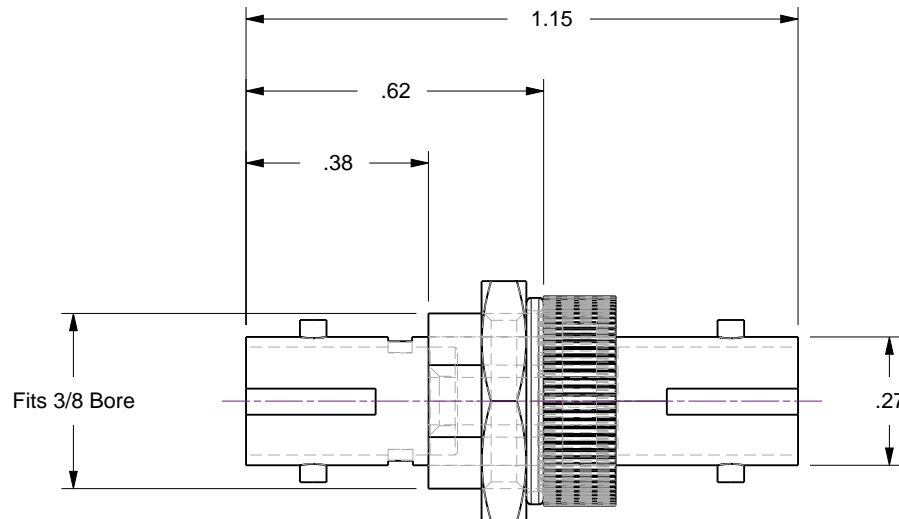
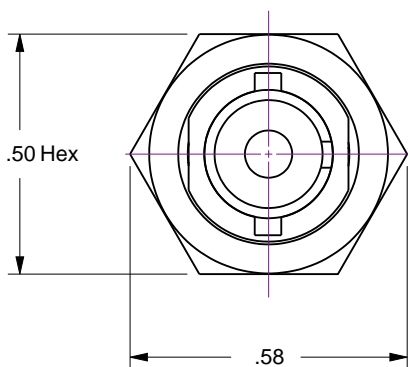
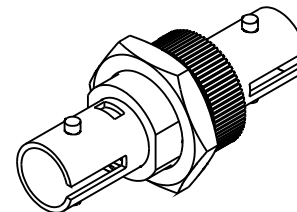


Notes

- 1. UHV Bulkhead style ST-to-ST Coupler
- 2. Includes lock washer and jam nut

Rev	Description	Date
A	Initial Release	



UNCONTROLLED WEB DRAWING

Proprietary and Confidential
 The information contained in this drawing is the sole property of Accu-Glass, Products Inc. Any reproduction, in part or as whole, without the written permission of Accu-Glass Products, Inc., is strictly prohibited.

Material
 See Individual Components

Tolerances,
 unless otherwise specified

.X ± .030	Angles ± 0.5° Finish 63Ra
.XX ± .010	
.XXX ± .005	

Title

FOVENT-ST-C

Drawn by Date	Farrell 6/12/2017	No. 112363	Rev. A
Approved		Sheet	



Accu-Glass Products Inc.
 25047 Anza Drive
 Valencia, CA 91355
 T 818-365-4215
 F 818-365-7074
 www.accuglassproducts.com