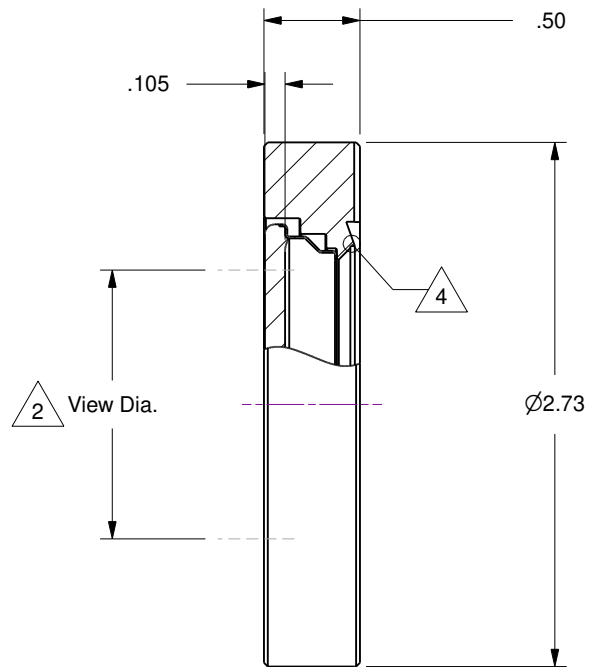
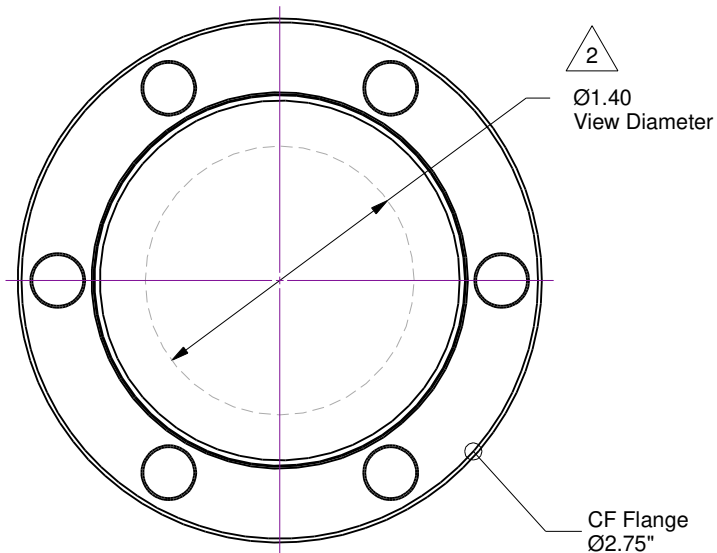


Notes

- 1. 1-1/2 Inch Zero-Length Viewport... Corning 7056 Borosilicate Glass
- 2. View diameter is distortion-free central region of glass
- 3. Leak tested to 5x10E-10 Standard cc/sec He
- 4. Protect flange seal surfaces

Rev	Description	Date



**Accu-Glass Products Inc.**  
 25047 Anza Drive  
 Valencia, CA 91355  
 T 818-365-4215  
 F 818-365-7074  
 www.accuglassproducts.com

**UNCONTROLLED WEB DRAWING**

Proprietary and Confidential  
 The information contained in this drawing is the sole property of Accu-Glass, Products Inc. Any reproduction, in part or as whole, without the written permission of Accu-Glass Products, Inc., is strictly prohibited.

Material  
 304SS / 7056-Glass / Kovar

Tolerances,  
 unless otherwise specified

.X ± .030	Angles ± 0.5° Finish 63Ra
.XX ± .010	
.XXX ± .005	

Title  
**VPG-1.4-275**

Drawn by Date	L.Bitz 2022/02/09	No.	<b>112402</b>	Rev.
Approved				Sheet