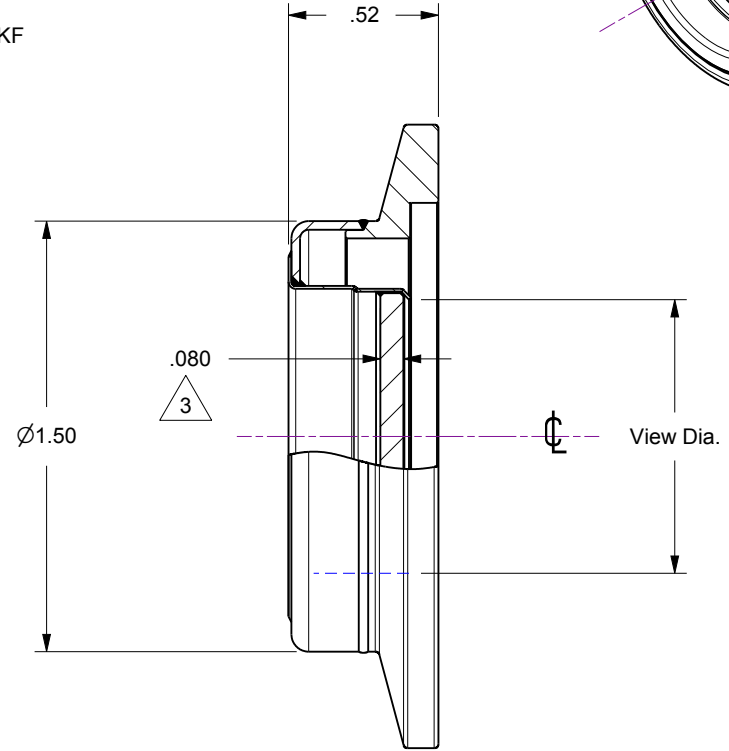
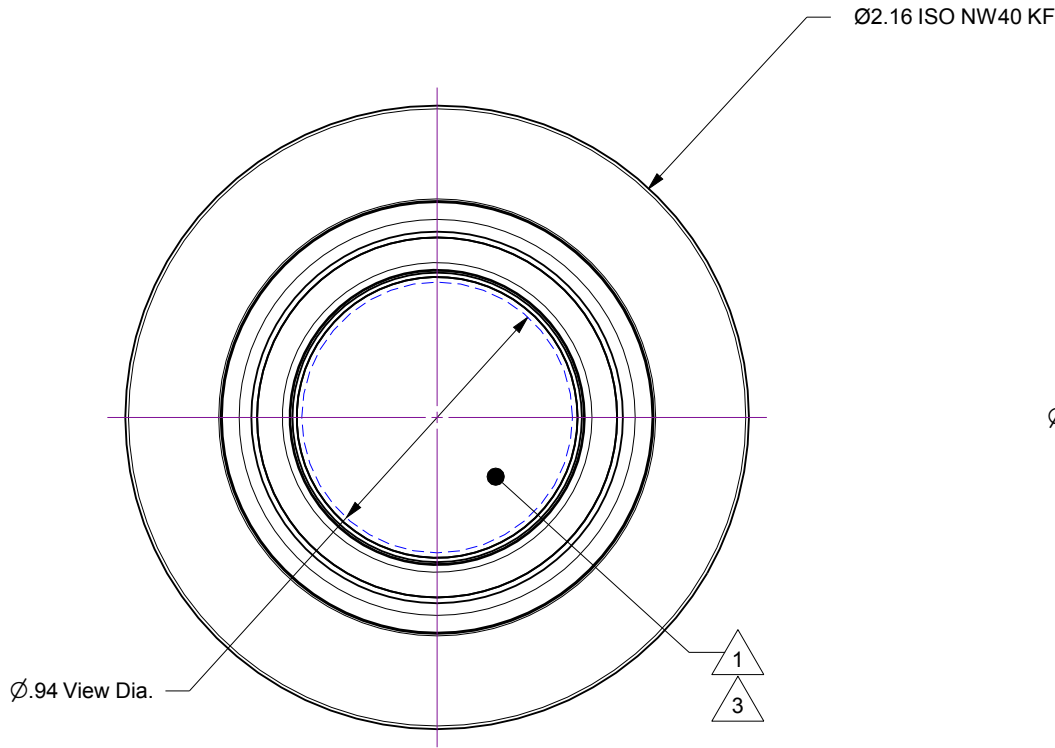
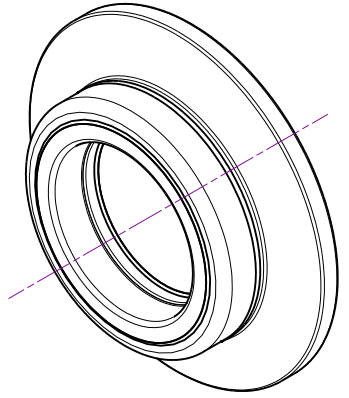


Notes

- 1. Synthetic Sapphire Al<sub>2</sub>O<sub>3</sub>
- 2. Transmitted Wavefront Distortion, TWD @ 632nm (peak-to-valley)... see table
- 3. Range, Parallelism, Surface Finish, and Crystal Orientation specifications... see table
- 4. -100 to +450°C (10°C / Minute maximum thermal gradient)
- 5. Leak test to 5x10E-10 Standard cc/sec of He

Rev	Description	Date
A	Initial Release	5/10/2022



Part No.	Range	TWD	Paralellism	Surface Finish	Crystal Orientation
	-	λ	arcseconds	Scratch / Dig	Degrees (Angle)
<b>112419</b>	UV	< 8	<180	50 / 20	Random
-	DUV	< 1/2	<180	20 / 10	0°



**Accu-Glass Products Inc.**  
 25047 Anza Drive  
 Valencia, CA 91355  
 T 818-365-4215  
 F 818-365-7074  
 www.accuglassproducts.com

**UNCONTROLLED WEB DRAWING**

Proprietary and Confidential  
 The information contained in this drawing is the sole property of Accu-Glass, Products Inc. Any reproduction, in part or as whole, without the written permission of Accu-Glass Products, Inc., is strictly prohibited.

Material 304, Kovar, Sapphire Al <sub>2</sub> O <sub>3</sub>	
Tolerances, unless otherwise specified	
.X ± .030	Angles ± 0.5°
.XX ± .010	Finish 63Ra
.XXX ± .005	

Title <b>Sapphire Viewport, 1-Inch View Dia.</b>			
Drawn by Date	Ligeti 5/10/2022	No.	Rev.
Approved		<b>112419</b>	<b>A</b>
		Sheet	