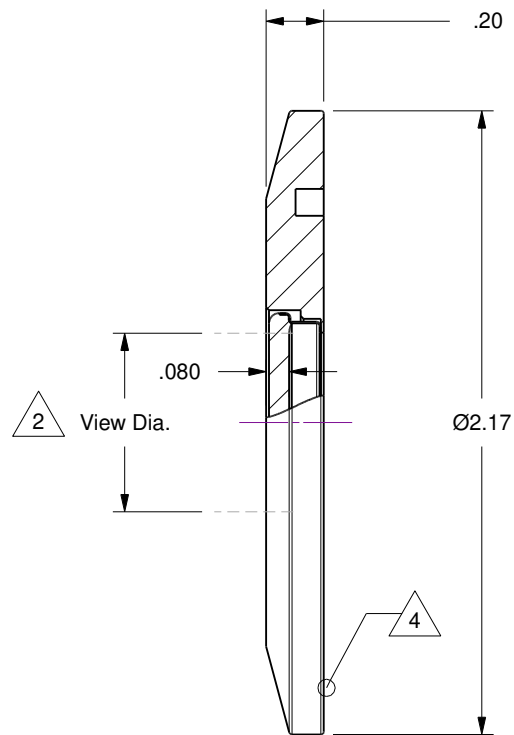
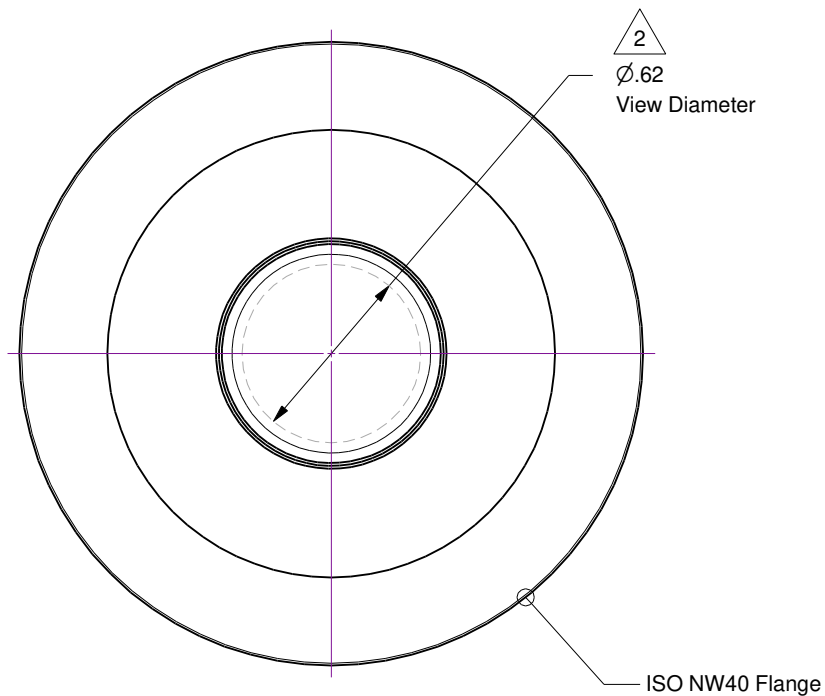


Notes

- 1. 3/4 Inch Zero-Length Viewport... Corning 7056 Borosilicate Glass
- 2. View diameter is distortion-free central region of glass
- 3. Leak tested to 5x10E-10 Standard cc/sec He
- 4. Protect flange seal surfaces

Rev	Description	Date



Accu-Glass Products Inc.
 25047 Anza Drive
 Valencia, CA 91355
 T 818-365-4215
 F 818-365-7074
 www.accuglassproducts.com

UNCONTROLLED WEB DRAWING

Proprietary and Confidential
 The information contained in this drawing is the sole property of Accu-Glass, Products Inc. Any reproduction, in part or as whole, without the written permission of Accu-Glass Products, Inc., is strictly prohibited.

Material 304SS / 7056-Glass / Kovar	
Tolerances, unless otherwise specified	
.X ± .030	Angles ± 0.5°
.XX ± .010	Finish 63Ra
.XXX ± .005	

Title VPG-0.6-K40			
Drawn by Date	L.Bitz 2022/02/15	No. 112539	Rev.
Approved			Sheet