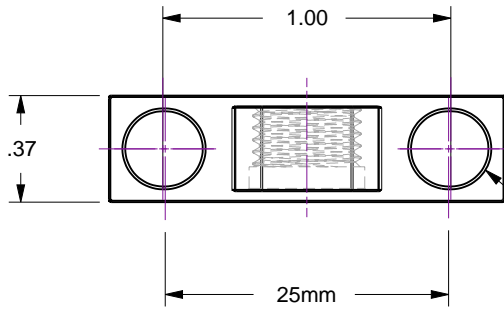


Notes

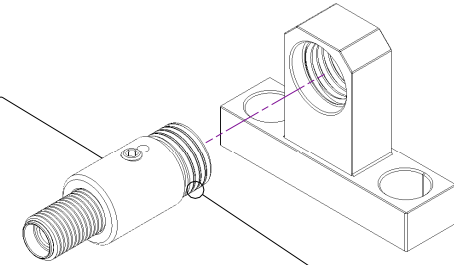
- 1. 3/8-24 UNF Collimator Mount
- 2. Use with AGP 1/4 inch Fused Silica and Sapphire Lens Collimators... part numbers 112689 / 112720 respectively

Rev.	Description	Date	Made By	Approval
A	Initial Release			

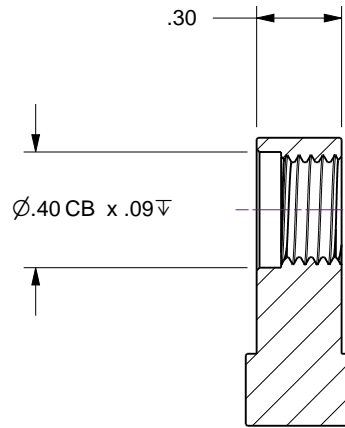
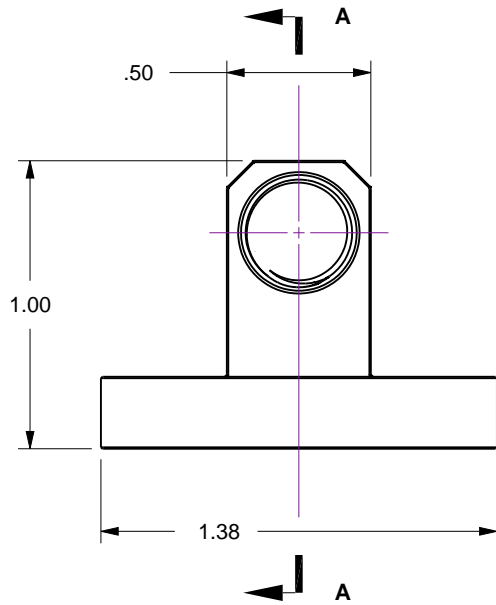


Elongated holes allow mounting on 1 inch or 25mm centers with 1/4 inch or M6 Screws

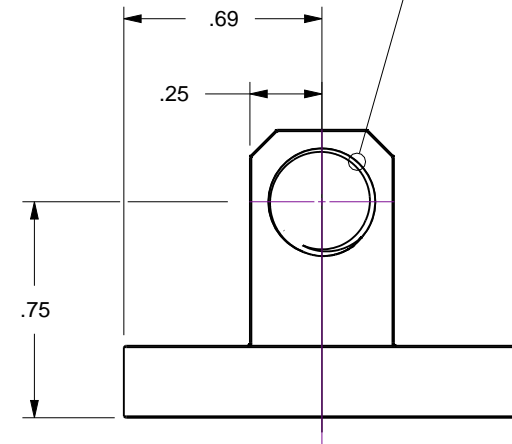
Use with AGP 1/4 Inch Lens Collimators (sold separately)



3/8-24 UNF Collimator Thread Interface



Section A-A



Accu-Glass Products Inc.
 25047 Anza Drive
 Valencia, CA 91355
 T 818-365-4215
 F 818-365-7074
 www.accuglassproducts.com

UNCONTROLLED WEB DRAWING

Proprietary and Confidential
 The information contained in this drawing is the sole property of Accu-Glass, Products Inc. Any reproduction, in part or as whole, without the written permission of Accu-Glass Products, Inc., is strictly prohibited.

Material Stainless Steel, 304	
Tolerances, unless otherwise specified	
.X ± .030	Angles ± 0.5°
.XX ± .010	Finish 63Ra
.XXX ± .005	

Title Mount, 3/8-24 Collimator			
Drawn by Date	Ligeti 2/21/2018	No. 112686	Rev. B
Approved			Sheet