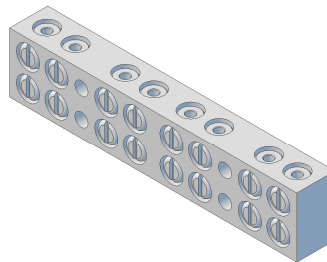


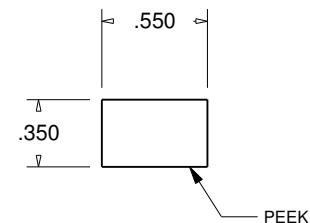
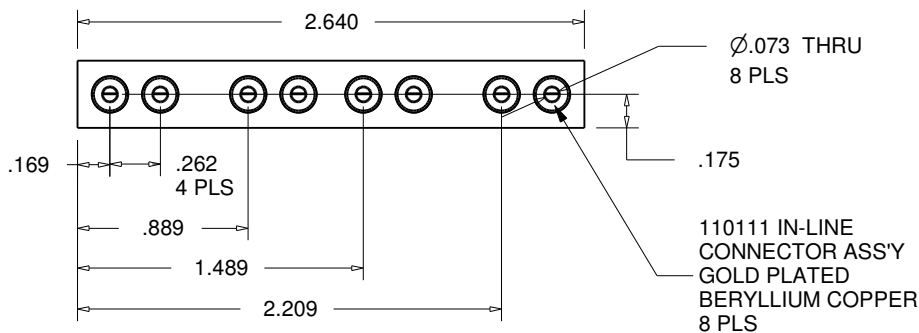
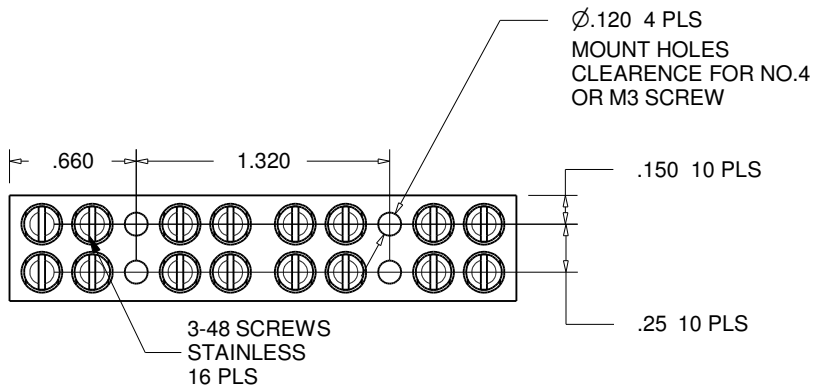
Notes

1. Dimensions Symmetrical About Centerlines.

Rev.	Description	Date	Made By	Approval
A	Initial Release	12/10/2009	CR	CM



Specifications:	
Voltage	RATING TBD
Current	10A
Temperature	250° C MAX
Vacuum Level	UHV 1x10 ⁻¹⁰ Torr.



Accu-Glass Products Inc.
 25047 Anza Drive
 Valencia, CA 91355
 T 818-365-4215
 F 818-365-7074
 www.accuglassproducts.com

UNCONTROLLED WEB DRAWING

Proprietary and Confidential
 The information contained in this drawing is the sole property of Accu-Glass, Products Inc. Any reproduction, in part or as whole, without the written permission of Accu-Glass Products, Inc., is strictly prohibited.

Material See Individual Components	
Tolerances, unless otherwise specified	
.X ± .030	Angles ± 0.5°
.XX ± .010	Finish 63Ra
.XXX ± .005	

Title PEEK-TB-8P			
Drawn by Date	CR 12/10/2009	No. 112695	Rev. A
Approved			Sheet 1 OF 1