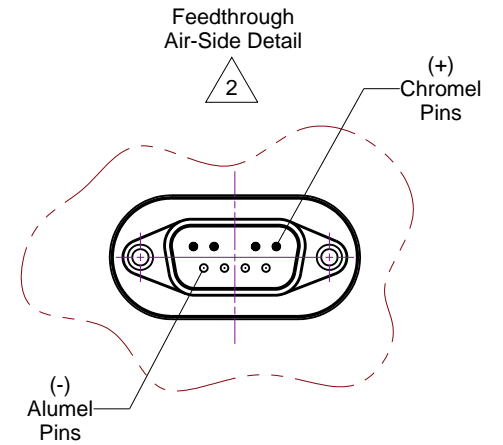
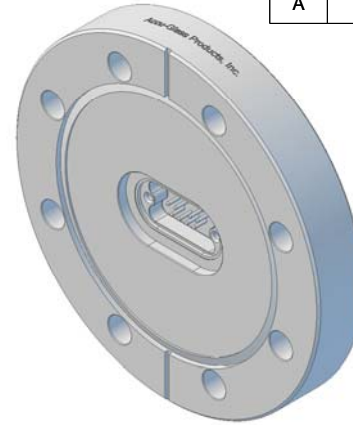


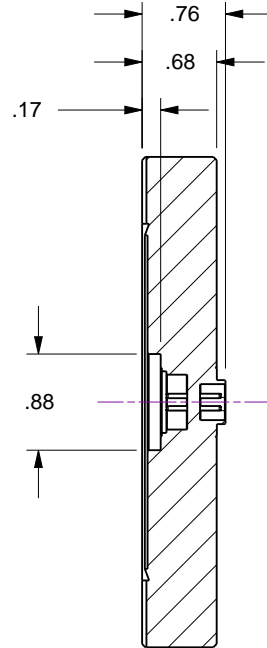
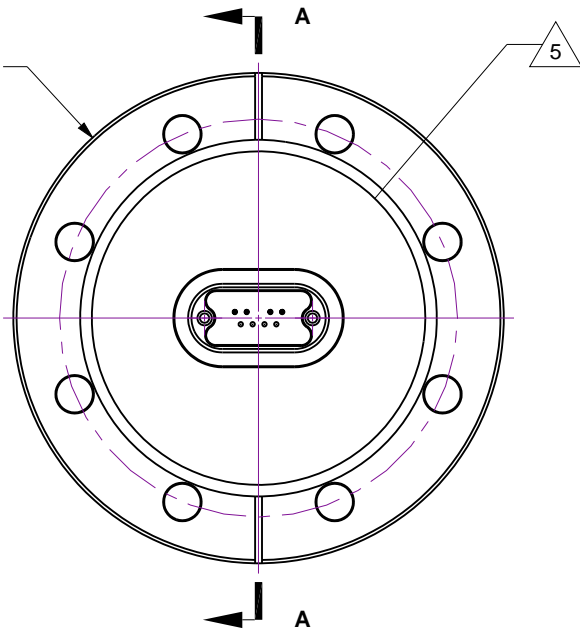
Notes

- 1. Four (4) pair Type-K Thermo-D (D-Sub 9 Shell size) UHV Feedthrough
- 2. Fitted with actual TC Type-K (+) Chromel, and (-) Alumel pin materials
- 3. Air and vacuum side connectors and cable assemblies are available (sold separately)
- 4. Leak test to 5x10E-10 Standard cc/sec of He
- 5. Protect seal surface (knife-edge) from damage.

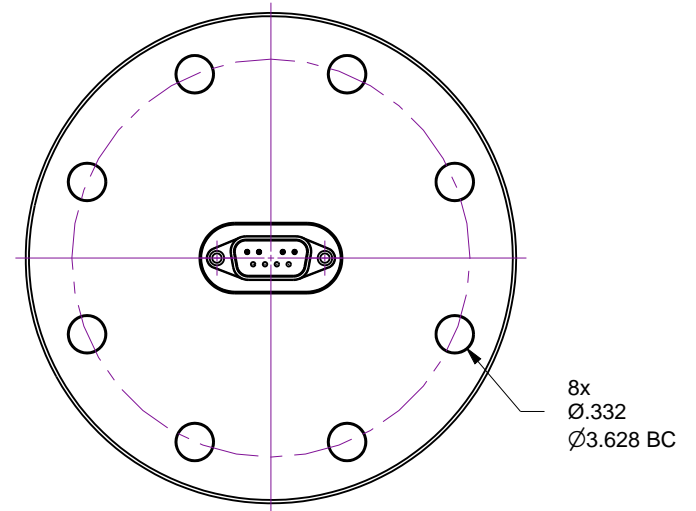
Rev.	Description	Date	Made By	Approval
A	Initial Release			



CF Flange
Ø4.470
Stainless



Section A-A



UNCONTROLLED WEB DRAWING

Proprietary and Confidential
The information contained in this drawing is the sole property of Accu-Glass, Products Inc. Any reproduction, in part or as whole, without the written permission of Accu-Glass Products, Inc., is strictly prohibited.

Material
See Individual Components

Tolerances,
unless otherwise specified

.X ± .030	Angles ± 0.5° Finish 63Ra
.XX ± .010	
.XXX ± .005	

Title

4-Pair Type-K Thermocouple, 4.50 CF Flange

Drawn by Date	Ligeti 7/25/2018	No. 112709	Rev. A
Approved			Sheet



Accu-Glass Products Inc.
25047 Anza Drive
Valencia, CA 91355
T 818-365-4215
F 818-365-7074
www.accuglassproducts.com