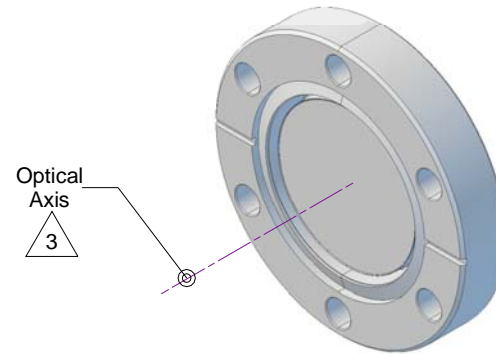


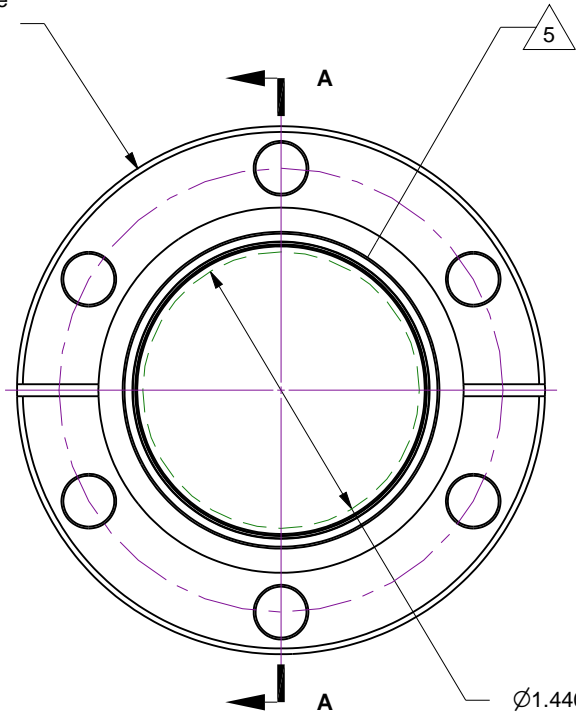
Notes

- 1. Regular grade sapphire viewport
- 2. Useful transmission range is 300~4000nm
- 3. Single-crystal, 90-Degree crystal orientation (relative to optical axis)
- 4. Leak test to 5x10E-10 Standard cc/sec of He
- 5. Protect seal surface (knife-edge) from damage

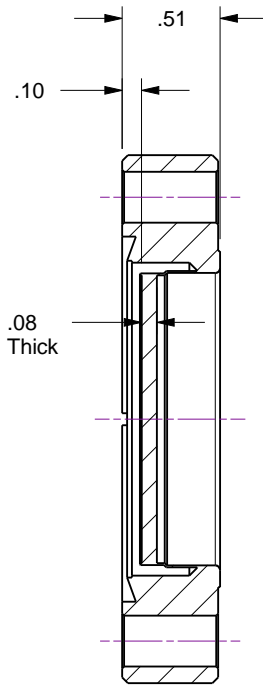
Rev.	Description	Date	Made By	Approval
A	Initial Release			



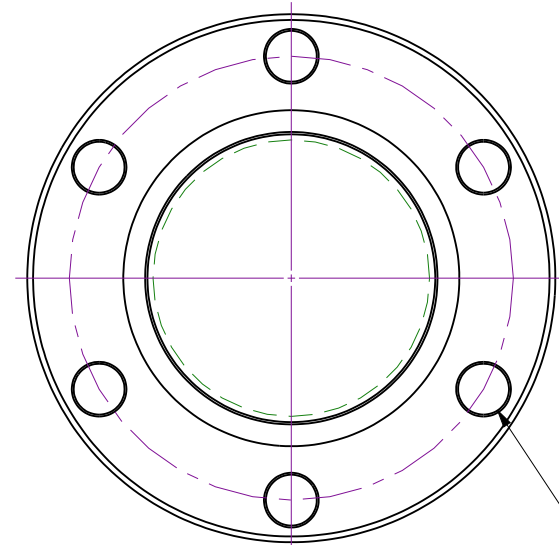
CF Flange
 Ø2.750
 Stainless



Ø1.440
 Clear View



Section A-A



6x
 Ø.265
 Ø2.312 BC



Accu-Glass Products Inc.
 25047 Anza Drive
 Valencia, CA 91355
 T 818-365-4215
 F 818-365-7074
 www.accuglassproducts.com

UNCONTROLLED WEB DRAWING

Proprietary and Confidential
 The information contained in this drawing is the sole property of Accu-Glass, Products Inc. Any reproduction, in part or as whole, without the written permission of Accu-Glass Products, Inc., is strictly prohibited.

Material
 See Individual Components

Tolerances,
 unless otherwise specified

.X ± .030	Angles ± 0.5° Finish 63Ra
.XX ± .010	
.XXX ± .005	

Title 1.50 Sapphire Viewport on 2.75 CF			
Drawn by Date	Ligeti 7/25/2018	No. 112725	Rev. A
Approved		Sheet	