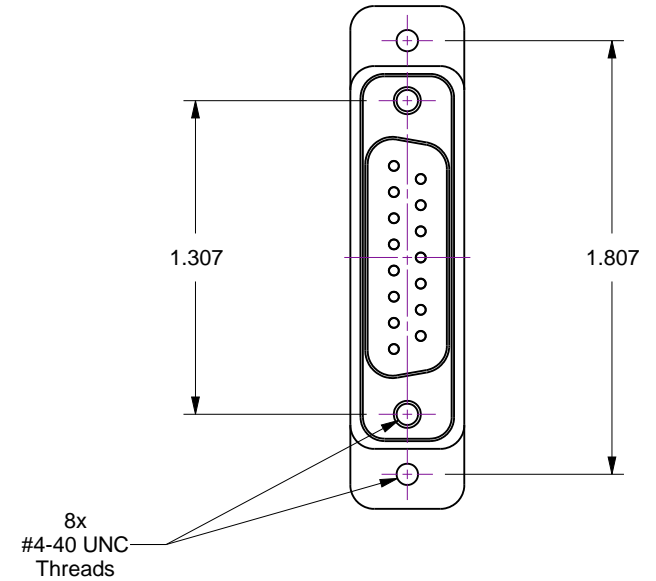
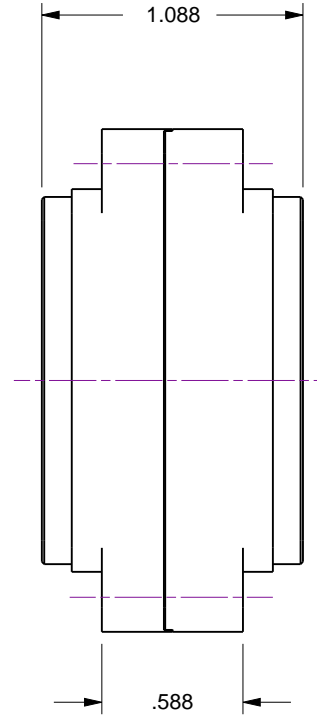
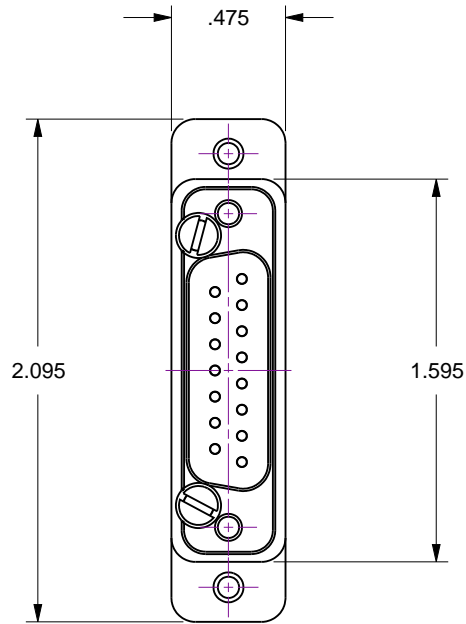
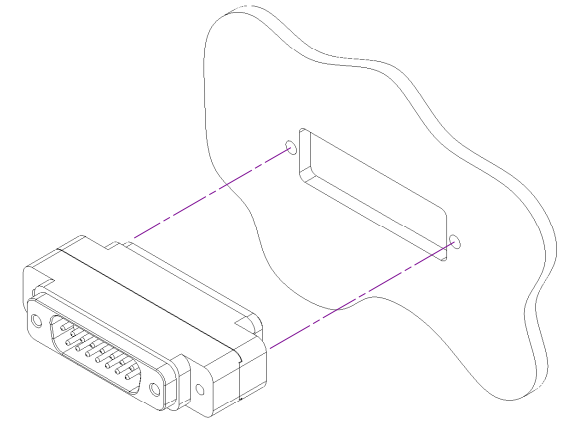
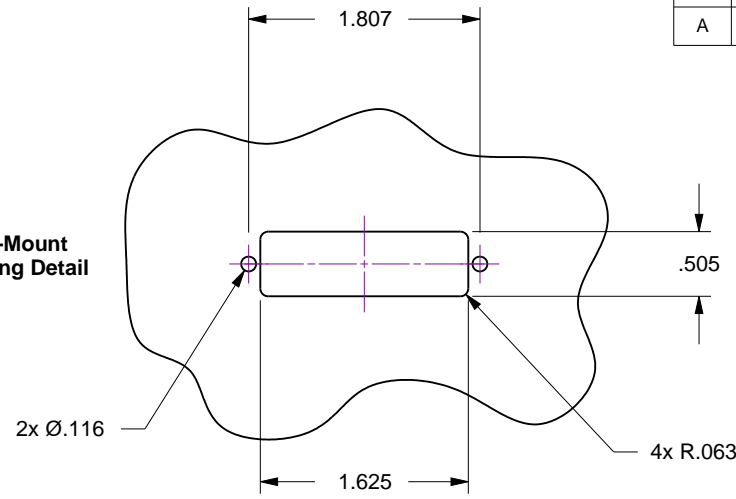


Notes

- 1. 15D-AIR-GA-M
- 2. Fifteen-pin, air-service male/male gender adapter
- 3. Black Delrin construction (contacts included)

Rev.	Description	Date	Made By	Approval
A	Initial Release			

Panel-Mount Machining Detail



Accu-Glass Products Inc.
 25047 Anza Drive
 Valencia, CA 91355
 T 818-365-4215
 F 818-365-7074
 www.accuglassproducts.com

UNCONTROLLED WEB DRAWING

Proprietary and Confidential
 The information contained in this drawing is the sole property of Accu-Glass, Products Inc. Any reproduction, in part or as whole, without the written permission of Accu-Glass Products, Inc., is strictly prohibited.

Material DELTRIN	
Tolerances, unless otherwise specified	
.X ± .030	Angles ± 0.5° Finish 63Ra
.XX ± .010	
.XXX ± .005	

Title 15D MALE AIR GENDER ADAPTOR EARS			
Drawn by Date	CR 7/5/2011	No. 112796	Rev. A
Approved			Sheet