

Notes

- 1. Factory Calibrated for 6 PSI (adjustable pressure between 4~11 PSI)
- 2. Leak test to 5x10E-10 Standard cc/sec of He
- 3. Dimensionally identical to part number 113155, but uses a different spring guide-nut, and spring
- 4. Protect flange O-ring seal surface from damage

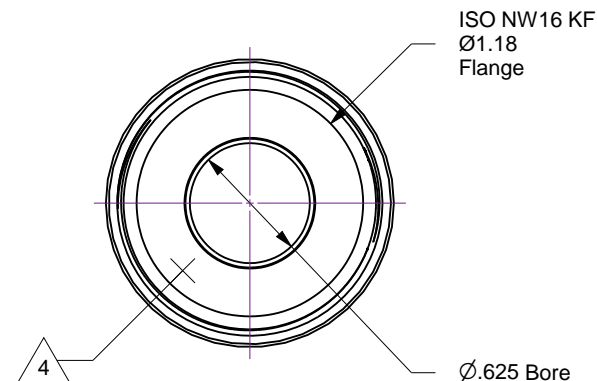
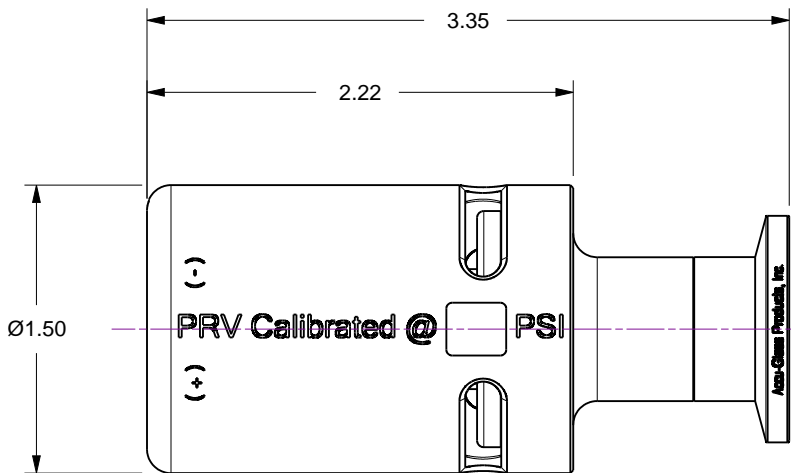
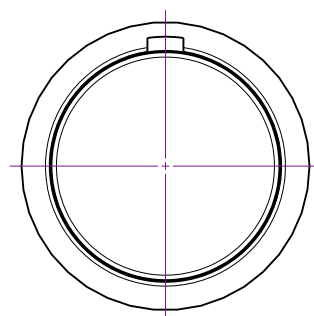
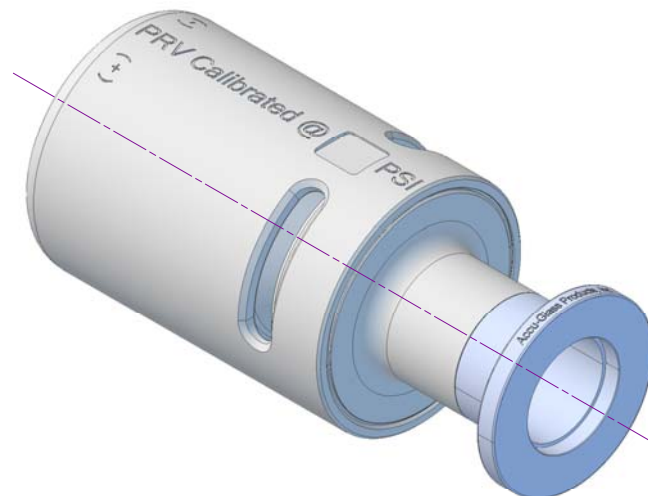
Specifications:

Part No. 113156
 Model No. PRV-K16-4-11
 RoHS Compliant Yes
 Materials Stainless Steel, Aluminum (Black Anodized), Viton Gasket
 Bake Temp. 150 C
 Operating Temp. 150 C
 Vacuum Level 1x10E-8 Torr

Flow Rate (SCFM)	* PRV Inlet Pressure (PSIG)
6.21	2.32
9.37	2.61
15.83	3.53
20.63	4.18
25.95	5.11
31.40	6.14

*Inlet pressure calculated at Albuquerque, NM altitude (12.1 psia)

Rev.	Description	Date	Made By	Approval
A	Initial Release			



Accu-Glass Products Inc.
 25047 Anza Drive
 Valencia, CA 91355
 T 818-365-4215
 F 818-365-7074
 www.accuglassproducts.com

UNCONTROLLED WEB DRAWING

Proprietary and Confidential
 The information contained in this drawing is the sole property of Accu-Glass, Products Inc. Any reproduction, in part or as whole, without the written permission of Accu-Glass Products, Inc., is strictly prohibited.

Material See Individual Components	
Tolerances, unless otherwise specified	
.X ± .030	Angles ± 0.5°
.XX ± .010	Finish 63Ra
.XXX ± .005	

Title Valve, 6 PSI Pressure Relief... ISO NW16 KF			
Drawn by Date	Ligeti 10/3/2018	No. 113156	Rev. A
Approved			Sheet