

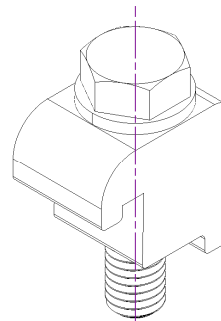
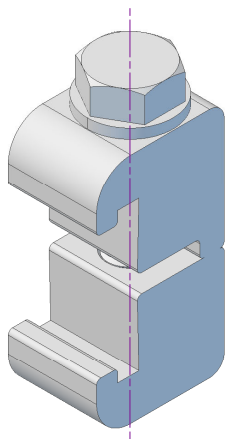
Notes

**Double-Claw Clamp**

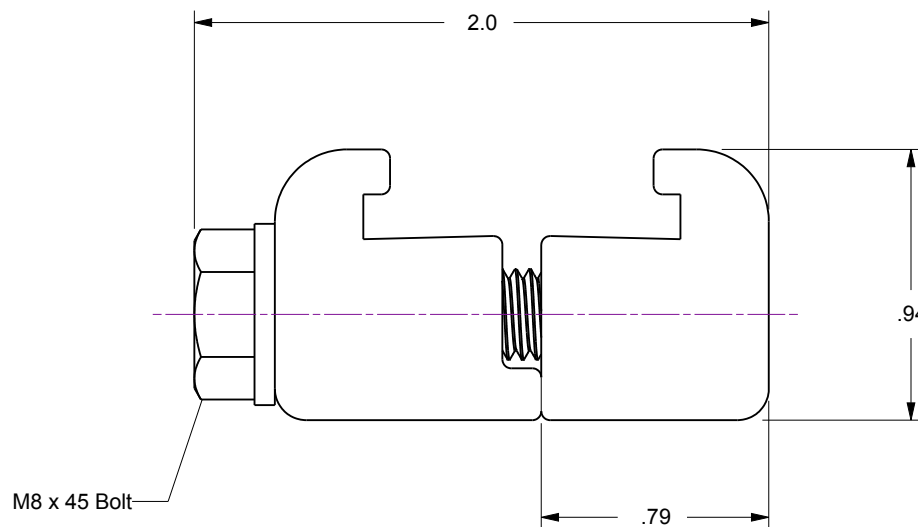
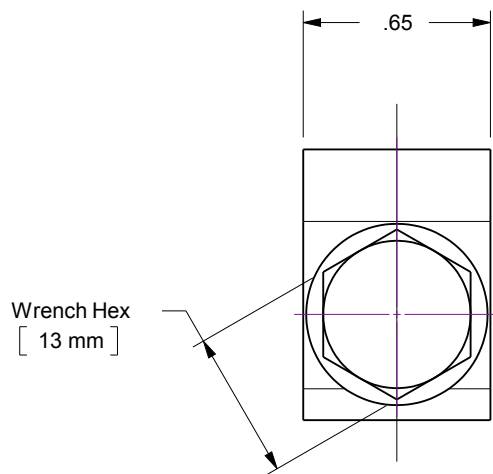
- 1. For use with ISO NW63, 80, and 100 LF flange sizes
- 2. Metric stainless steel bolt and washer included
- 3. Claw clamps are made from Aluminum
- 4. Single-Claw Clamp also available, see part number 210553

ISO Claw Clamps for other LF flange sizes:  
 160, 200, and 250 see 210551 and 210554  
 320, 400, and 500 see 210552 and 210555

Rev.	Description	Date	Made By	Approval
A	Initial Release			
B	Remodeled	1/14/2019	AL	



Single-Claw Clamp  
 210553  
 (Sold separately)



**UNCONTROLLED WEB DRAWING**

Proprietary and Confidential  
 The information contained in this drawing is the sole property of Accu-Glass, Products Inc. Any reproduction, in part or as whole, without the written permission of Accu-Glass Products, Inc., is strictly prohibited.

Material  
 See Individual Components

Tolerances,  
 unless otherwise specified

.X ± .030	Angles ± 0.5° Finish 63Ra
.XX ± .010	
.XXX ± .005	

Title <b>LF-DCC-1</b>			
Drawn by Date	Ligeti 1/14/2019	No. <b>210550</b>	Rev. <b>B</b>
Approved		Sheet	



**Accu-Glass Products Inc.**  
 25047 Anza Drive  
 Valencia, CA 91355  
 T 818-365-4215  
 F 818-365-7074  
 www.accuglassproducts.com