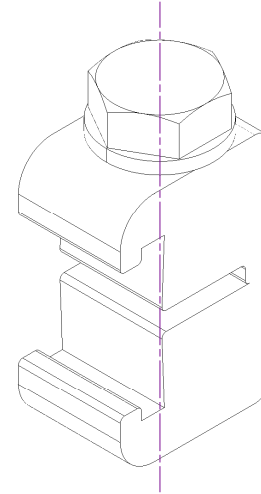
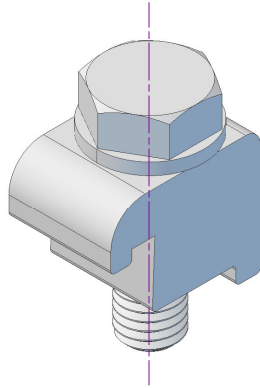


Notes

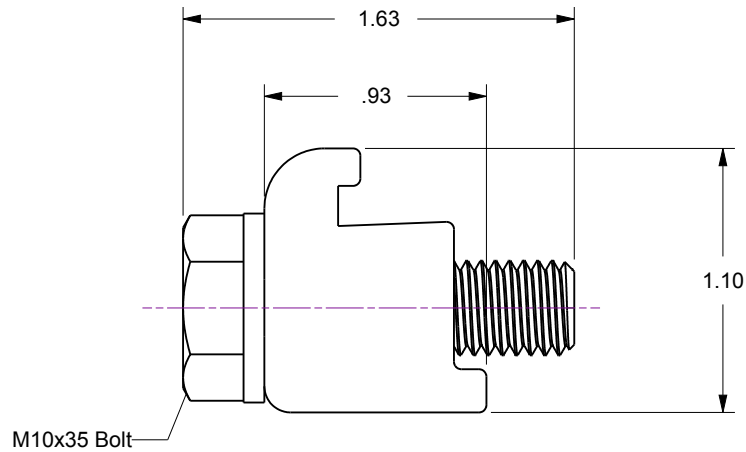
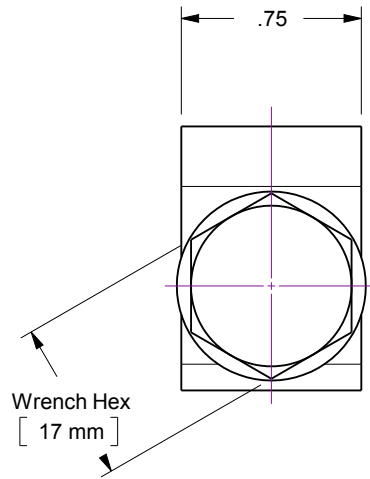
Single-Claw Clamp

- 1. For use with ISO NW 160, 200, and 250 LF flange sizes
- 2. Metric stainless steel bolt and washer included
- 3. Claw clamps are made from Aluminum
- 4. Double-Claw Clamp also available, see part number 210551

ISO Claw Clamps for other LF flange sizes:
 63, 80, and 100 see 210550 and 210553
 320, 400, and 500 see 210552 and 210555



Double-Claw Clamp
 210551
 (Sold separately)



Rev.	Description	Date	Made By	Approval
A	Initial Release			

UNCONTROLLED WEB DRAWING

Proprietary and Confidential
 The information contained in this drawing is the sole property of Accu-Glass, Products Inc. Any reproduction, in part or as whole, without the written permission of Accu-Glass Products, Inc., is strictly prohibited.

Material See Individual Components	
Tolerances, unless otherwise specified	
.X ± .030	Angles ± 0.5°
.XX ± .010	Finish 63Ra
.XXX ± .005	

Title LF-SCC-2			
Drawn by Date	Ligeti 1/15/2019	No. 210554	Rev. A
Approved		Sheet	



Accu-Glass Products Inc.
 25047 Anza Drive
 Valencia, CA 91355
 T 818-365-4215
 F 818-365-7074
 www.accuglassproducts.com