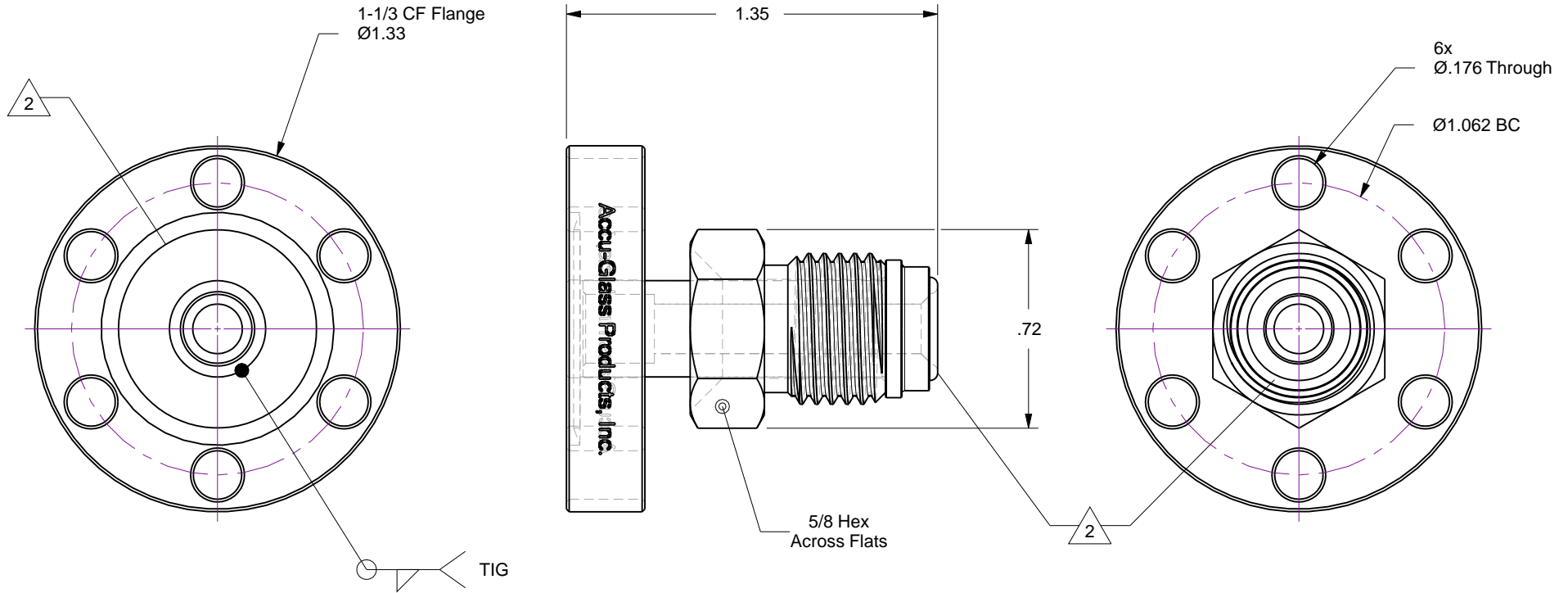


Notes

1/4 Male VCR Fitting to 1-1/3 CF Mini Flange

- 1. Leak Tested To 5x10E-10 standard cc/se of He
- 2. Protect flange (knife-edge) and fitting (bead) seal surfaces from damage
- 3. Dimensions Symmetrical About Centerline

Rev.	Description	Date	Made By	Approval
A	Initial Release	10/19/17	Farrell	



Accu-Glass Products Inc.
 25047 Anza Drive
 Valencia, CA 91355
 T 818-365-4215
 F 818-365-7074
 www.accuglassproducts.com

UNCONTROLLED WEB DRAWING

Proprietary and Confidential
 The information contained in this drawing is the sole property of Accu-Glass, Products Inc. Any reproduction, in part or as whole, without the written permission of Accu-Glass Products, Inc., is strictly prohibited.

Material Stainless Steel	
Tolerances, unless otherwise specified	
.X ± .030	Angles ± 0.5°
.XX ± .010	Finish 63Ra
.XXX ± .005	

Title VCRM 0.250-133			
Drawn by Farrell	Date 10/19/2017	No. 210815	Rev. A
Approved			Sheet