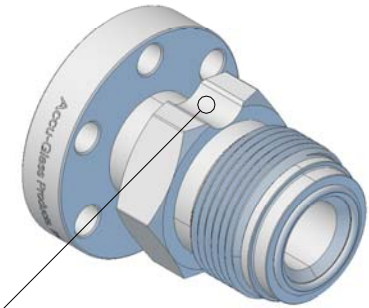


Notes

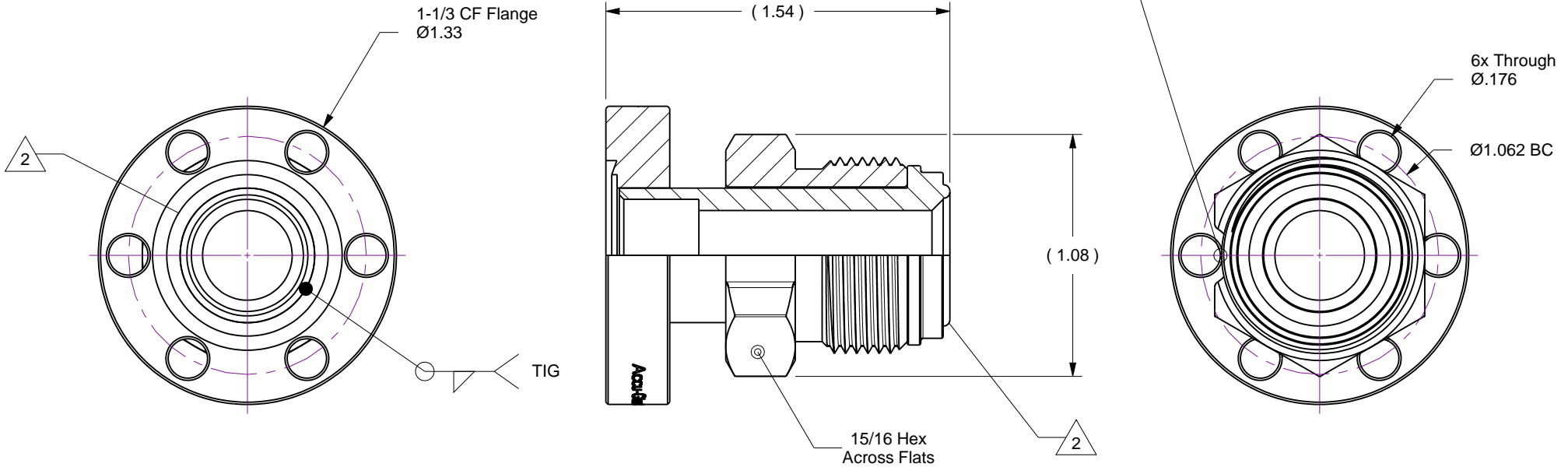
1/2 Male VCR Fitting to 1-1/3 CF Mini Flange

- 1. Leak Tested To 5x10E-10 standard cc/se of He
- 2. Protect flange (knife-edge) and fitting (bead) seal surfaces from damage
- 3. Dimensions Symmetrical About Centerlines

Rev	Description	Date
A	Initial Release	



Flange Mounting Hardware
Socket-Head Screw Clearance



Accu-Glass Products Inc.
25047 Anza Drive
Valencia, CA 91355
T 818-365-4215
F 818-365-7074
www.accuglassproducts.com

UNCONTROLLED WEB DRAWING

Proprietary and Confidential
The information contained in this drawing is the sole property of Accu-Glass, Products Inc. Any reproduction, in part or as whole, without the written permission of Accu-Glass Products, Inc., is strictly prohibited.

Material Stainless Steel	
Tolerances, unless otherwise specified	
.X ± .030	Angles ± 0.5°
.XX ± .010	Finish 63Ra
.XXX ± .005	

Title VCRM 0.500-133			
Drawn by Farrell	Date 6/14/2017	No. 210817	Rev. A
Approved			Sheet