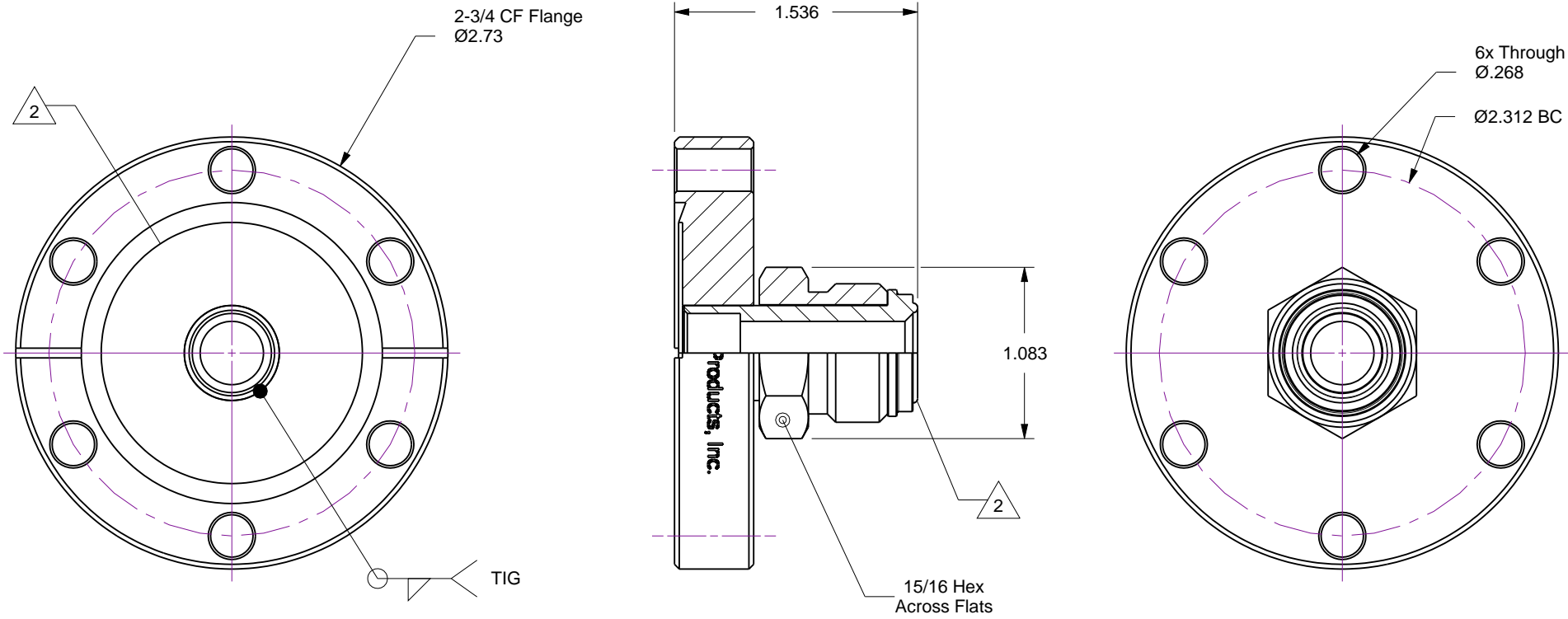
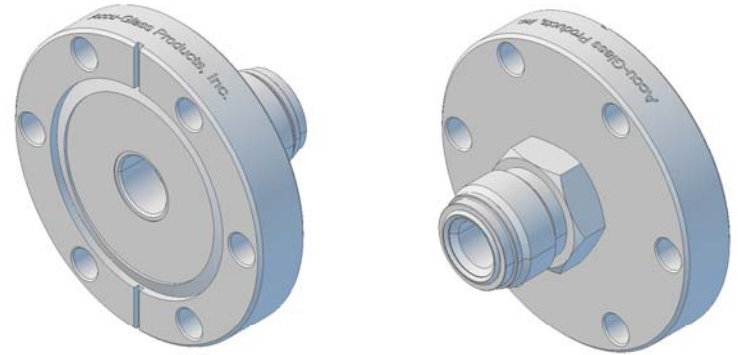


Notes

1/2 Male VCR Fitting to 2-3/4 CF Flange

- 1. Leak Tested To 5x10E-10 standard cc/se of He
- 2. Protect flange (knife-edge) and fitting (bead) seal surfaces from damage
- 3. Dimensions Symmetrical About Centerline

Rev	Description	Date
A	Initial Release	



**Accu-Glass Products Inc.**  
 25047 Anza Drive  
 Valencia, CA 91355  
 T 818-365-4215  
 F 818-365-7074  
 www.accuglassproducts.com

**UNCONTROLLED WEB DRAWING**

Proprietary and Confidential  
 The information contained in this drawing is the sole property of Accu-Glass, Products Inc. Any reproduction, in part or as whole, without the written permission of Accu-Glass Products, Inc., is strictly prohibited.

Material Stainless Steel	
Tolerances, unless otherwise specified	
.X ± .030	Angles ± 0.5° Finish 63Ra
.XX ± .010	
.XXX ± .005	

Title VCRM 0.500-275			
Drawn by Farrell	Date 6/14/2017	No. <b>210818</b>	Rev. <b>A</b>
Approved			Sheet