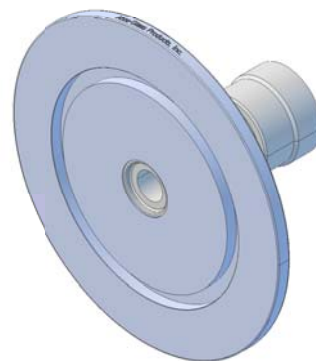


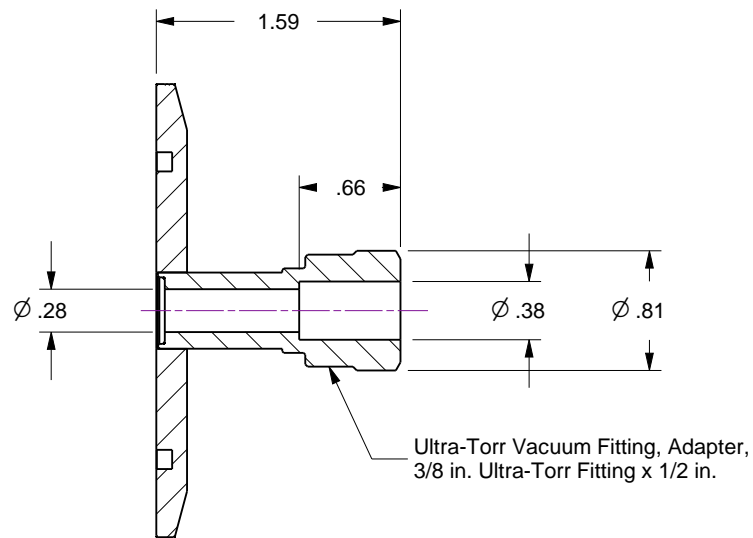
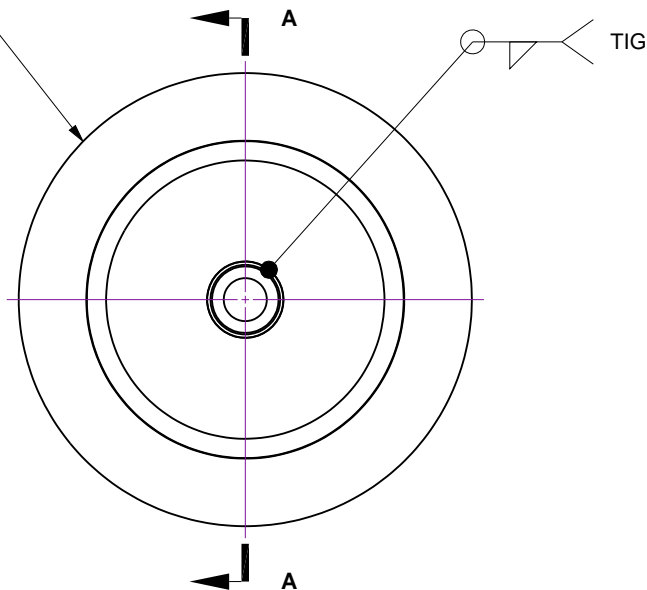
Notes

- 1. Leak Tested To 5x10E-10 standard cc/se of He.
- 2. Dimensions Symmetrical About Centerlines.

Rev	Description	Date
A	Initial Release	



Flange, NW40 KF
Stainless Steel



Section A-A

UNCONTROLLED WEB DRAWING

Proprietary and Confidential
The information contained in this drawing is the sole property of Accu-Glass, Products Inc. Any reproduction, in part or as whole, without the written permission of Accu-Glass Products, Inc., is strictly prohibited.

Material
See Individual Components

Tolerances,
unless otherwise specified

.X ± .030	Angles ± 0.5° Finish 63Ra
.XX ± .010	
.XXX ± .005	

Title			
Ultra-Torr QD 0.375-K50			
Drawn by	Farrell	No.	210928
Date	3/27/2017	Rev.	A
Approved		Sheet	



Accu-Glass Products Inc.
25047 Anza Drive
Valencia, CA 91355
T 818-365-4215
F 818-365-7074
www.accuglassproducts.com