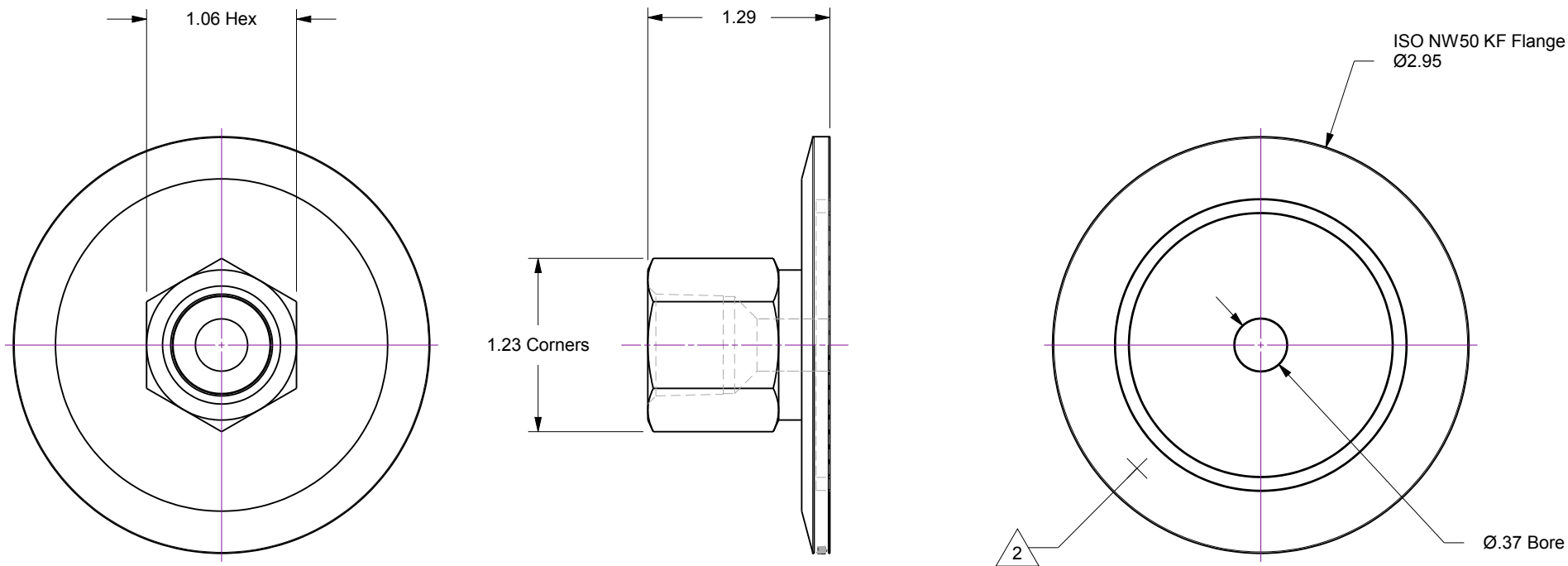


Notes

1/2-Inch female NPT Fitting to ISO NW50 KF Flange

- 1. Leak Tested To 5x10E-10 standard cc/se of He
- 2. Protect flange (O-ring) seal surfaces from damage
- 3. NPT threads require use of teflon tape to make a vacuum compatible seal
- 4. Dimensions Symmetrical About Centerline

Rev.	Description	Date	Made By	Approval
A	Initial Release			



Accu-Glass Products Inc.
 25047 Anza Drive
 Valencia, CA 91355
 T 818-365-4215
 F 818-365-7074
 www.accuglassproducts.com

UNCONTROLLED WEB DRAWING

Proprietary and Confidential
 The information contained in this drawing is the sole property of Accu-Glass, Products Inc. Any reproduction, in part or as whole, without the written permission of Accu-Glass Products, Inc., is strictly prohibited.

Material Stainless Steel, 304	
Tolerances, unless otherwise specified	
.X ± .030	Angles ± 0.5° Finish 63Ra
.XX ± .010	
.XXX ± .005	

Title Adapter, 1/2" Female NPT / ISO NW50 KF Flange			
Drawn by Date	Ligeti 10/15/2018	No. 210977	Rev. A
Approved			Sheet