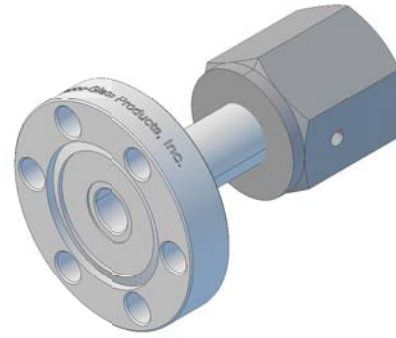


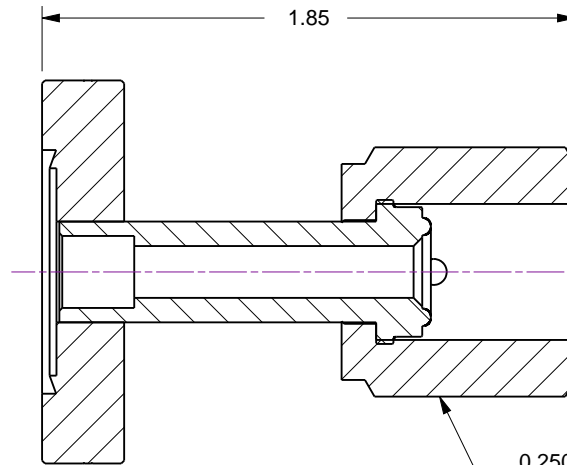
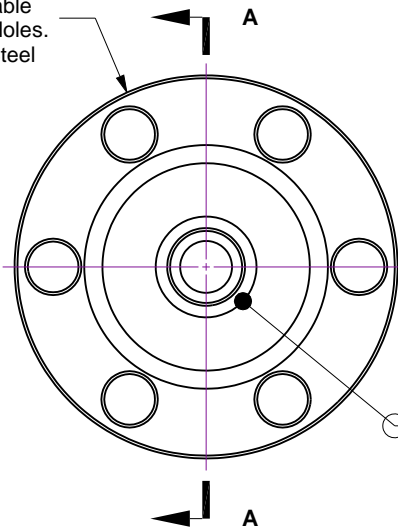
Notes

- 1. Leak Tested To 5x10E-10 standard cc/se of He.
- 2. Dimensions Symmetrical About Centerlines.
- 3. Protect Knife-Edge (seal surface) From Damage.

Rev	Description	Date
A	Initial Release	

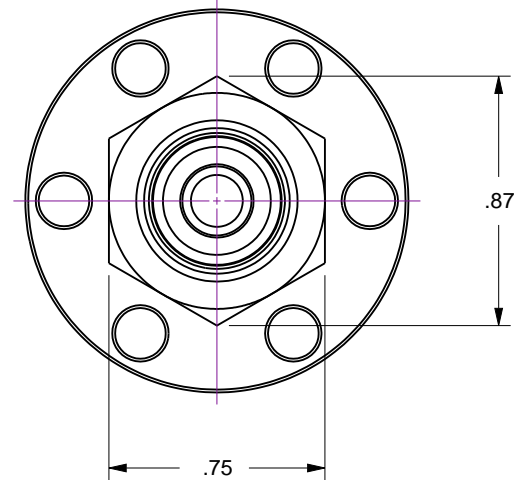


Flange, 1.33 CF  
Non-Rotatable  
with Thru Holes.  
Stainless Steel



0.250 VCR Fitting,  
Female

Section A-A



**Accu-Glass Products Inc.**  
25047 Anza Drive  
Valencia, CA 91355  
T 818-365-4215  
F 818-365-7074  
www.accuglassproducts.com

**UNCONTROLLED WEB DRAWING**

Proprietary and Confidential  
The information contained in this drawing is the sole property of Accu-Glass, Products Inc. Any reproduction, in part or as whole, without the written permission of Accu-Glass Products, Inc., is strictly prohibited.

Material Stainless Steel	
Tolerances, unless otherwise specified	
.X ± .030	Angles ± 0.5° Finish 63Ra
.XX ± .010	
.XXX ± .005	

Title VCRF-0.250-133			
Drawn by Farrell	Date 5/9/2017	No. <b>211091</b>	Rev. <b>A</b>
Approved			Sheet