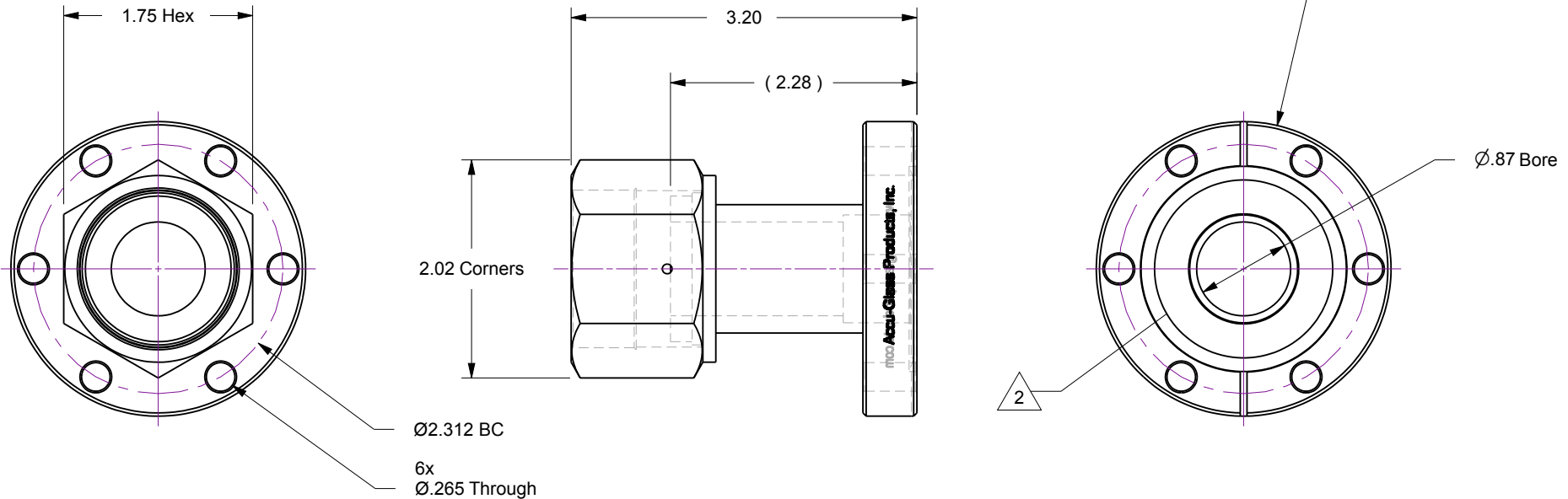
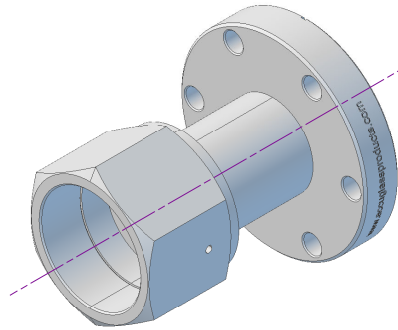


Notes

1-Inch Female VCR Fitting to 2-3/4 CF Flange

- 1. Leak Tested To 5x10E-10 standard cc/se of He
- 2. Protect flange (knife-edge) and fitting (bead) seal surfaces from damage
- 3. Dimensions Symmetrical About Centerline

Rev.	Description	Date	Made By	Approval
A	Initial Release			




Accu-Glass Products Inc.
 25047 Anza Drive
 Valencia, CA 91355
 T 818-365-4215
 F 818-365-7074
 www.accuglassproducts.com

UNCONTROLLED WEB DRAWING

Proprietary and Confidential
 The information contained in this drawing is the sole property of Accu-Glass, Products Inc. Any reproduction, in part or as whole, without the written permission of Accu-Glass Products, Inc., is strictly prohibited.

Material Stainless Steel, 304		Title VCRF 1.00-275		
Tolerances, unless otherwise specified		Drawn by Ligeti	Date 10/11/2018	Rev. A
.X ± .030	Angles ± 0.5°	No. 211096		
.XX ± .010	Finish 63Ra	Approved		Sheet
.XXX ± .005				