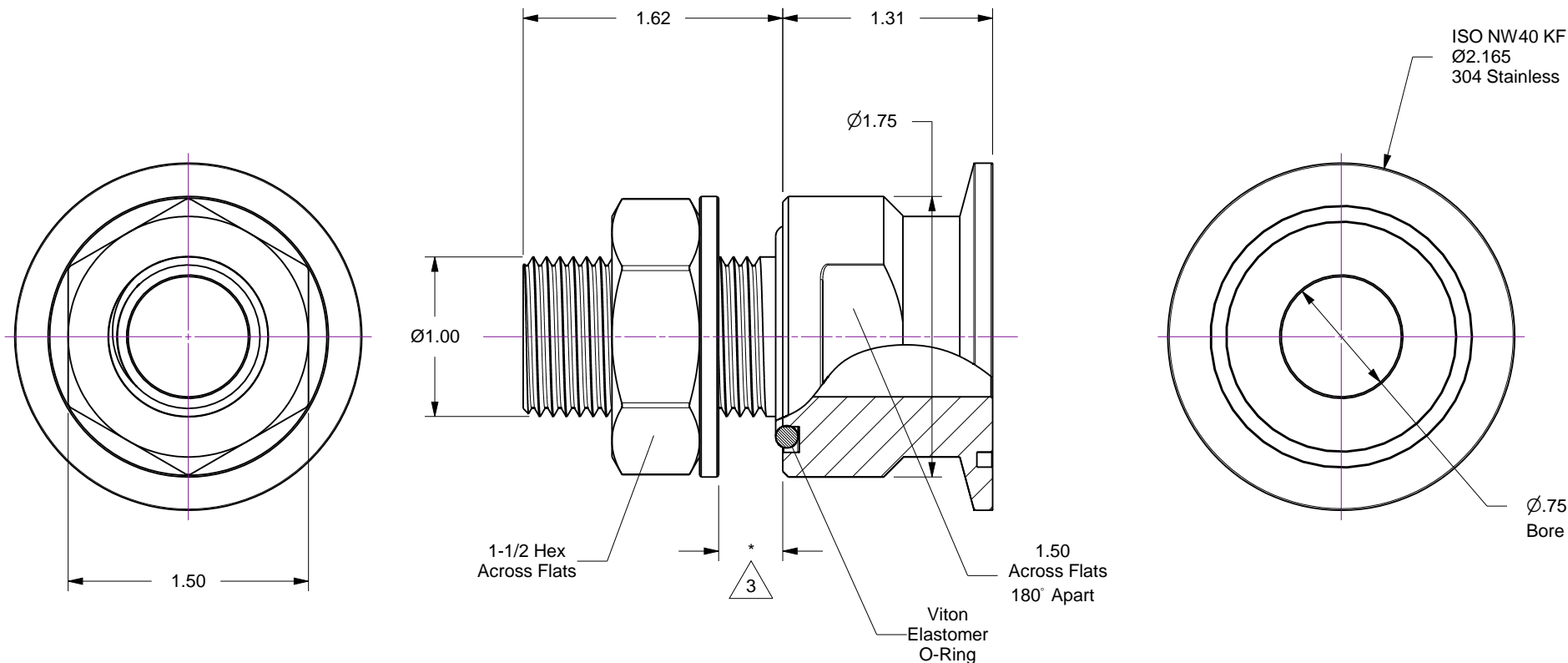
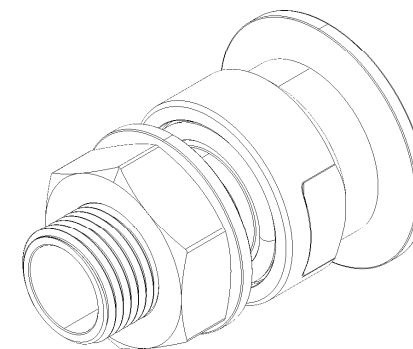


Notes

- 1. One-Inch Baseplate-to-ISO NW40 KF Adapter, Model No. BPF-K40
- 2. Includes Viton elastomer O-ring, washer, and nut
- 3. Suitable for a maximum 1-inch bulkhead thickness

Rev.	Description	Date	Made By	Approval
A	Initial Release			



**Accu-Glass Products Inc.**  
 25047 Anza Drive  
 Valencia, CA 91355  
 T 818-365-4215  
 F 818-365-7074  
 www.accuglassproducts.com

**UNCONTROLLED WEB DRAWING**

Proprietary and Confidential  
 The information contained in this drawing is the sole property of Accu-Glass, Products Inc. Any reproduction, in part or as whole, without the written permission of Accu-Glass Products, Inc., is strictly prohibited.

Material  
 See Individual Components

Tolerances,  
 unless otherwise specified

.X ± .030	Angles ± 0.5° Finish 63Ra
.XX ± .010	
.XXX ± .005	

Title <b>BPF-K40</b>			
Drawn by Date	Farrell 2/16/2017	No. <b>211120</b>	Rev. <b>A</b>
Approved			Sheet