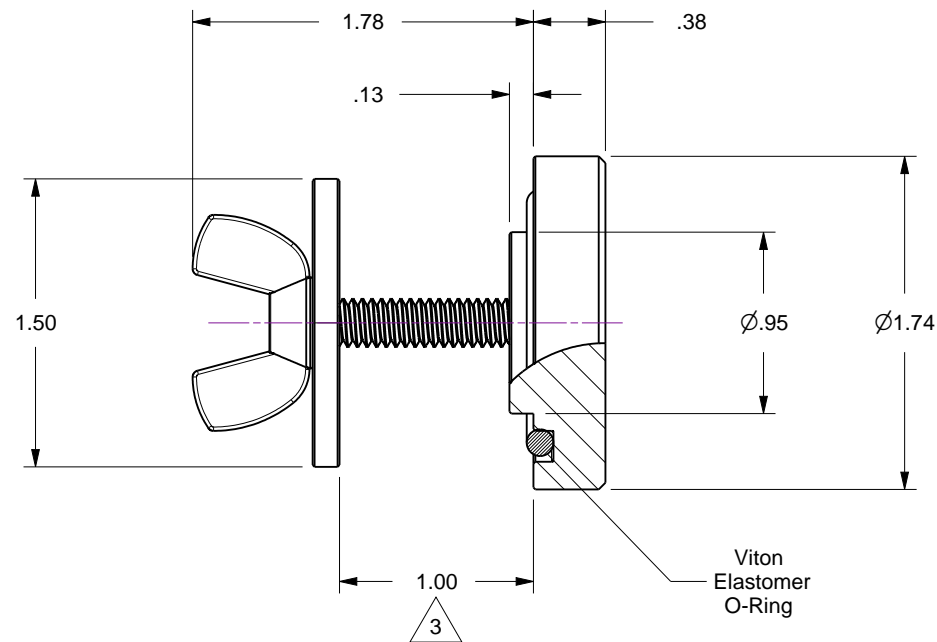
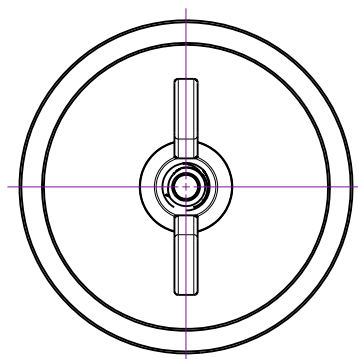
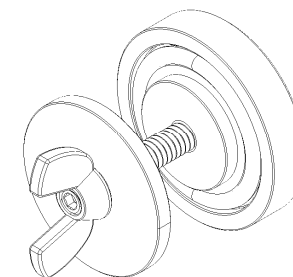


Notes

- 1. One-Inch Baseplate Plug, Model No. BPP
- 2. Includes a Viton elastomer O-ring, washer, and wing-nut
- 3. Suitable for a maximum 1-inch bulkhead thickness

Rev.	Description	Date	Made By	Approval
A	Initial Release			



Viton
Elastomer
O-Ring



Accu-Glass Products Inc.
25047 Anza Drive
Valencia, CA 91355
T 818-365-4215
F 818-365-7074
www.accuglassproducts.com

UNCONTROLLED WEB DRAWING

Proprietary and Confidential
The information contained in this drawing is the sole property of Accu-Glass, Products Inc. Any reproduction, in part or as whole, without the written permission of Accu-Glass Products, Inc., is strictly prohibited.

Material
See Individual Components

Tolerances,
unless otherwise specified

.X ± .030	Angles ± 0.5° Finish 63Ra
.XX ± .010	
.XXX ± .005	

Title			
Base Plate Plug, Blank, 1 Hole			
Drawn by	Farrell	No.	211125
Date	2/16/2017	Rev.	A
Approved		Sheet	