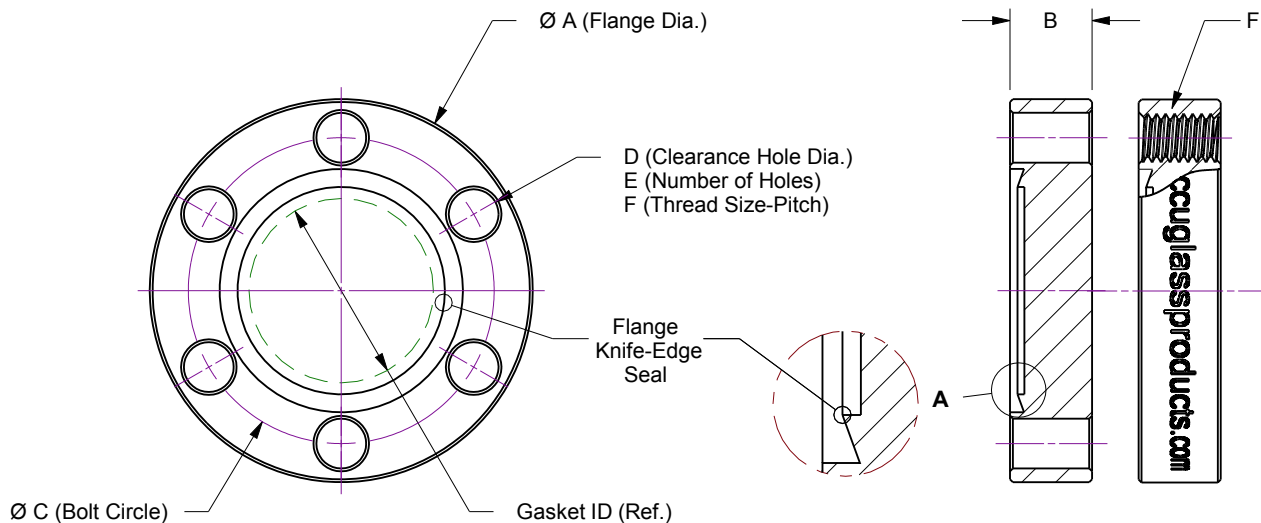
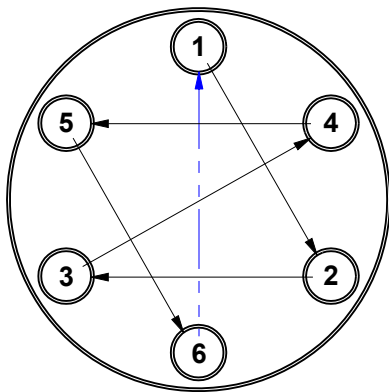


Notes

1. Clearance and threaded bolt-hole, fixed (non-rotatable), blank CF flange specifications
2. Protect flange seal surface (knife-edge) from damage
3. Flange dimensions are per ASTM standard for Knife-Edge seal flanges
4. Tighten bolts gradually in 1/4 to 1/2 turn increments, as shown... in crisscross star-pattern until specified bolt-torque is reached.

Rev	Description	Date
-----	-------------	------

Crisscross Bolt Tightening Sequence



Part No.	Model No.	A		B		C		D		E	F	Model No.	Part No.	Gasket ID	Bolt-Torque
		Nominal	± .030	Min.	BC	Min.	Max.	Qty.	Threads	Threaded Hole Flanges	Reference				
200000	CF133-000-N	1-1/3	1.330	.260	1.062	.171	.180	6	8-32	CF133-000-NT	200009	.640	3.5		
200040	CF212-000-N	2-1/8	2.125	.450	1.625	.264	.273	4	1/4-28	CF212-000-NT	200045	1.000	12		
200060	CF275-000-N	2-3/4	2.750	.480	2.312			6		CF275-000-NT	200070	1.450 / 1.530			
200110	CF338-000-N	3-3/8	3.375	.600	2.850	.331	.340	8	5/16-24	-	-	2.015	16		
200122	CF450-000-N	4-1/2	4.500	.660	3.628			8		CF450-000-NT	200126	2.510 / 2.810			
200138	CF462-000-N	4-5/8	4.625	.730	4.030			10		-	-	3.015			
200150	CF600-000-N	6	6.000	.760	5.128			16		CF600-000-NT	200152	4.010 / 4.120			
200158	CF675-000-N	6-3/4	6.750	.820	5.969			18		CF675-000-NT	200161	5.013			
200170	CF800-000-N	8	8.000	.860	7.128			20		-	-	6.010			
200178	CF1000-000-N	10	10.000	.950	9.128			24		-	-	8.010			
200186	CF1200-000-N	12	12.000	.964	11.180	32	-	-	10.010						
200194	CF1325-000-N	13-1/4	13.250	1.100	12.060	.418	.425	30	3/8-24	-	-	10.850	26		
200206	CF1400-000-N	14	14.000	1.114	12.809			30		-	-	11.560			
200214	CF1450-000-N	14-1/2	14.500	1.102	13.311			32		-	-	12.107			
200222	CF1650-000-N	16-1/2	16.500	1.102	15.310			36		-	-	14.110			
								36		-	-	14.110			

UNCONTROLLED WEB DRAWING

Proprietary and Confidential
 The information contained in this drawing is the sole property of Accu-Glass, Products Inc. Any reproduction, in part or as whole, without the written permission of Accu-Glass Products, Inc., is strictly prohibited.

Material Stainless Steel, 304	
Tolerances, unless otherwise specified	
.X ± .030	Angles ± 0.5°
.XX ± .010	Finish 63Ra
.XXX ± .005	

Title Fixed CF Flange Specifications			
Drawn by Date	Ligeti 2019/01/30	No.	A0018 F
Approved		Rev.	B
		Sheet	



Accu-Glass Products Inc.
 25047 Anza Drive
 Valencia, CA 91355
 T 818-365-4215
 F 818-365-7074
 www.accuglassproducts.com